

 **apple computer**  
20525 Mariani Avenue  
Cupertino, California 95014  
(408) 996-1010  
TLX171-576  
076-0004



## Notice

Apple Computer, Inc., Microsoft Corporation, and Digital Research Inc., reserves the right to make improvements in the product described in this manual at any time and without notice.

## Disclaimer of All Warranties and Liability Relating to Software

APPLE COMPUTER, INC., MICROSOFT CORPORATION, AND DIGITAL RESEARCH INC. MAKE NO WARRANTIES, EITHER EXPRESS OR IMPLIED, WITH RESPECT TO THIS MANUAL OR WITH RESPECT TO THE SOFTWARE DESCRIBED IN THIS MANUAL, ITS QUALITY, PERFORMANCE, MERCHANTABILITY OR FITNESS FOR ANY PARTICULAR PURPOSE. THIS SOFTWARE IS LICENSED "AS IS." THE ENTIRE RISK AS TO ITS QUALITY AND PERFORMANCE IS WITH THE BUYER. SHOULD THE SOFTWARE PROVE DEFECTIVE FOLLOWING ITS PURCHASE, THE BUYER (AND NOT APPLE COMPUTER, INC., MICROSOFT CORPORATION, OR DIGITAL RESEARCH INC., THEIR DISTRIBUTORS, OR THEIR RETAILERS) ASSUMES THE ENTIRE COST OF ALL NECESSARY SERVICING, REPAIR OR CORRECTIONS AND ANY INCIDENTAL OR CONSEQUENTIAL DAMAGES. IN NO EVENT WILL APPLE COMPUTER, INC., MICROSOFT CORPORATION, OR DIGITAL RESEARCH INC. BE LIABLE FOR DIRECT, INDIRECT, INCIDENTAL OR CONSEQUENTIAL DAMAGES RESULTING FROM ANY DEFECT IN THE MANUAL OR IN THE SOFTWARE EVEN IF THEY HAVE BEEN ADVISED OF THE POSSIBILITY OF SUCH DAMAGES. SOME STATES DO NOT ALLOW THE EXCLUSION OR LIMITATION OF IMPLIED WARRANTIES OR LIABILITIES FOR INCIDENTAL OR CONSEQUENTIAL DAMAGES, SO THE ABOVE LIMITATION OR EXCLUSION MAY NOT APPLY TO YOU.

The SoftCard III and all software and documentation in the SoftCard package exclusive of the CP/M operating system are copyrighted under US Copyright laws by Microsoft Corporation. Copyright Microsoft Corporation 1982.

The CP/M operating system and CP/M documentation are copyrighted under US Copyright laws by Digital Research. Copyright 1976, 1977, 1978 by Digital Research. All rights reserved. (CP/M Reference Manual edited in part by Microsoft.)

This manual may not, in whole, or part, be copied, photocopied, reproduced, translated, or reduced to any electronic medium or machine readable form without prior consent, in writing, from copyright owners.

© Copyright Microsoft Corporation 1982  
All rights reserved

SoftCard III is a trademark of the Microsoft Corporation.  
Apple and the Apple logo are registered trademarks of Apple Computer, Inc.  
CP/M is a registered trademark of Digital Research, Inc.  
Z-80 is a registered trademark of Zilog, Inc.

**Apple III**

**CP/M Reference Manual**

# Contents

## Preface

## **1 Introduction to CP/M Features and Facilities** **1**

---

2	Introduction
4	An Overview of CP/M 2.0 Facilities
6	Functional Description of CP/M
7	General Command Structure
7	File References
10	Switching Disks
10	Form of Built-in Commands
11	ERASE Command
12	DIRectory Command
13	REName Command
14	SAVE Command
14	TYPE Command
15	USER Command
15	Line Editing and Output Control
17	Transient Commands
18	STAT
25	ASM
26	LOAD
27	PIP
37	ED
40	SUBMIT

- 42 XSUB
- 43 DUMP
- 43 BDOS Error Messages

## **2 CP/M 2.0 Interface Guide** **45**

---

- 46 Introduction
- 50 Operating System Call Conventions
- 78 Sample File-to-File Copy Program
- 81 Sample File Dump Utility
- 84 Sample Random Access Program
- 92 System Function Summary

## **3 CP/M Editor** **93**

---

- 94 Introduction to ED
- 95 ED Operation
- 95 Text Transfer Functions
- 99 Memory Buffer Organization
- 100 Memory Buffer Operation
- 102 Command Strings
- 103 Text Search and Alteration
- 107 Source Libraries
- 107 Repetitive Command Execution
- 108 ED Error Conditions
- 109 Summary of Control Characters
- 110 Summary of ED Commands
- 111 ED Text Editing Commands

## **4 CP/M Assembler** **115**

---

- 116 Introduction
- 118 Program Format
- 120 Forming the Operand
- 120 Labels
- 121 Numeric Constants
- 122 Reserved Words
- 123 String Constants
- 123 Arithmetic and Logical Operators
- 125 Precedence of Operators
- 126 Assembler Directives
- 126 The ORG Directive
- 127 The END Directive
- 127 The EQU Directive
- 128 The SET Directive
- 129 The IF and ENDIF Directives
- 131 The DB Directive
- 131 The DW Directive
- 132 The DS Directive
- 132 Operation Codes
- 133 Jumps, Calls and Returns
- 134 Immediate Operand Instructions
- 135 Increment and Decrement Instructions
- 136 Data Movement Instructions
- 137 Arithmetic Logic Unit Operations
- 138 Control Instructions
- 139 Error Messages
- 140 A Sample Session

## **5** *CP/M Dynamic Debugging Tool* 145

---

146	Introduction
149	DDT Commands
150	The A (Assemble) Command
150	The D (Display) Command
151	The F (Fill) Command
152	The G (Go) Command
153	The I (Input) Command
153	The L (List) Command
154	The M (Move) Command
154	The R (Read) Command
155	The S (Set) Command
156	The T (Trace) Command
157	The U (Untrace) Command
157	The X (Examine) Command
158	Implementation Notes
159	Sample Session

## ***Index*** 169

---

### ***Preface***

This manual is a general reference for a standard CP/M system. Features of Apple SoftCard III CP/M may differ slightly in features or operation from the system described in this manual. Consult your *SoftCard III Installation and Operation Manual* for specific details.

## ***Introduction to CP/M Features and Facilities***

2	Introduction
4	Overview of CP/M 2.0 Facilities
6	Functional Description of CP/M
7	General Command Structure
7	File References
10	Switching Disks
10	Form of Built-in Commands
11	ERASE Command
12	DIRectory Command
13	REName Command
14	SAVE Command
14	TYPE Command
15	USER Command
15	Line Editing and Output Control
17	Transient Commands
18	STAT
25	ASM
26	LOAD
27	PIP
37	ED
40	SUBMIT
42	XSUB
43	DUMP
43	BDOS Error Messages

## 1

## Introduction to CP/M Features and Facilities

### Introduction

---

CP/M is a monitor control program for microcomputer system development which uses IBM-compatible flexible disks for backup storage. Using a computer mainframe based upon Intel's 8080 microcomputer, CP/M provides a general environment for program construction, storage, and editing, along with assembly and program check-out facilities. An important feature of CP/M is that it can be easily altered to execute with any computer configuration which uses an Intel 8080 (or Zilog Z-80) Central Processing Unit, and has at least 16K bytes of main memory with up to four IBM-compatible diskette drives. Although the standard Digital Research version operates on a single-density Intel MDS 800, several different hardware manufacturers support their own input-output drivers for CP/M.

The CP/M monitor provides rapid access to programs through a comprehensive file management package. The file subsystem supports a named file structure, allowing dynamic allocation of file space as well as sequential and random file access. Using this file system, a large number of distinct programs can be stored in both source and machine executable form.

CP/M also supports a powerful context editor, Intel-compatible assembler, and debugger subsystem. Optional software includes a powerful Intel-compatible macro assembler, symbolic debugger,

along with various high-level languages. When coupled with CP/M's Console Command Processor, the resulting facilities equal or excel similar large computer facilities.

CP/M is logically divided into several distinct parts:

BIOS	Basic I/O System (hardware dependent)
BDOS	Basic Disk Operating System
CCP	Console Command Processor
TPA	Transient Program Area

The **BIOS** provides the primitive operations necessary to access the diskette drives and to interface standard peripherals (teletype, CRT, Paper Tape Reader/Punch, and user-defined peripherals), and can be tailored by the user for any particular hardware environment by "patching" this portion of CP/M.

The **BDOS** provides disk management by controlling one or more disk drives containing independent file directories. The BDOS implements disk allocation strategies which provide fully dynamic file construction while minimizing head movement across the disk during access. Any particular file may contain any number of records, not exceeding the size of any single disk. In a standard CP/M system, each disk can contain up to 64 distinct files. The BDOS has entry points which include the following primitive operations which can be programmatically accessed:

SEARCH	Look for a particular disk file by name.
OPEN	Open a file for further operations.
CLOSE	Close a file after processing.
RENAME	Change the name of a particular file.
READ	Read a record from a particular file.
WRITE	Write a record onto the disk.
SELECT	Select a particular disk drive for further operations.

The **CCP** provides symbolic interface between the user's console and the remainder of the CP/M system. The CCP reads the console device and processes commands which include listing the file directory, printing the contents of files, and controlling the operation of transient programs, such as assemblers, editors, and debuggers. The standard commands which are available in the CCP are listed in a following section.

The last segment of CP/M is the area called the Transient Program Area (TPA). The **TPA** holds programs which are loaded from the disk under command of the CCP. During program editing, for example, the TPA holds the CP/M text editor machine code and data areas. Similarly, programs created under CP/M can be checked out by loading and executing these programs in the TPA.

It should be mentioned that any or all of the CP/M component subsystems can be "overlaid" by an executing program. That is, once a user's program is loaded into the TPA, the CCP, BDOS, and BIOS areas can be used as the program's data area. A "bootstrap" loader is programmatically accessible whenever the BIOS portion is not overlaid; thus, the user program need only branch to the bootstrap loader at the end of execution, and the complete CP/M monitor is reloaded from disk.

It should be reiterated that the CP/M operating system is partitioned into distinct modules, including the BIOS portion which defines the hardware environment in which CP/M is executing. Thus, the standard system can be easily modified to any non-standard environment by changing the peripheral drivers to handle the custom system.

## ***An Overview of CP/M 2.0 Facilities***

---

CP/M 2.0 is a high-performance single-console operating system which uses table driven techniques to allow field configuration to match a wide variety of disk capacities. All of the fundamental file restrictions are removed, while maintaining upward compatibility from previous versions of release 1. Features of CP/M 2.0 include field specification of one to sixteen logical drives, each containing

up to eight megabytes. Any particular file can reach the full drive size with the capability to expand to thirty-two megabytes in future releases. The directory size can be field configured to contain any reasonable number of entries, and each file is optionally tagged with read/only and system attributes. Users of CP/M 2.0 are physically separated by user numbers, with facilities for file copy operations from one user area to another. Powerful relative-record random access functions are present in CP/M 2.0 which provide direct access to any of the 65536 records of an eight megabyte file.

All disk-dependent portions of CP/M 2.0 are placed into a BIOS-resident "disk parameter block" which is either hand coded or produced automatically using the disk definition macro library provided with CP/M 2.0. The end user need only specify the maximum number of active disks, the starting and ending sector numbers, the data allocation size, the maximum extent of the logical disk, directory size information, and reserved track values. The macros use this information to generate the appropriate tables and table references for use during CP/M 2.0 operation. Deblocking information is also provided which aids in assembly or disassembly of sector sizes which are multiples of the fundamental 128 byte data unit, and the system alteration manual includes general-purpose subroutines which use this deblocking information to take advantage of larger sector sizes. Use of these subroutines, together with the table driven data access algorithms, make CP/M 2.0 truly a universal data management system.

File expansion is achieved by providing up to 512 logical file extents, where each logical extent contains 16K bytes of data. CP/M 2.0 is structured, however, so that as much as 128K bytes of data is addressed by a single physical extent (corresponding to a single directory entry), thus maintaining compatibility with previous versions while taking full advantage of directory space.

Random access facilities are present in CP/M 2.0 which allow immediate reference to any record of an eight megabyte file. Using CP/M's unique data organization, data blocks are only allocated when actually required and movement to a record position requires little search time. Sequential file access is upwardly compatible from earlier versions to the full eight megabytes, while random access compatibility stops at 512K byte files. Due to CP/M 2.0's



simpler and faster random access, application programmers are encouraged to alter their programs to take full advantage of the 2.0 facilities.

Several CP/M 2.0 modules and utilities have improvements which correspond to the enhanced file system. STAT and PIP both account for file attributes and user areas, while the CCP provides a "login" function to change from one user area to another. The CCP also formats directory displays in a more convenient manner and accounts for both CRT and hard-copy devices in its enhanced line editing functions.

## ***Functional Description of CP/M***

---

The user interacts with CP/M primarily through the CCP, which reads and interprets commands entered through the console. In general, the CCP addresses one of several disks which are online (the standard system addresses up to four different disk drives). These disk drives are labelled A, B, C, and D. A disk is "logged in" if the CCP is currently addressing the disk. In order to clearly indicate which disk is the currently logged disk, the CCP always prompts the operator with the disk name followed by the symbol ">" indicating that the CCP is ready for another command. Upon initial start up, the CP/M system is brought in from disk A, and the CCP displays the message

```
xxK CP/M VER m.m
```

where xx is the memory size (in kilobytes) which this CP/M system manages, and m.m is the CP/M version number. Following system signon, CP/M automatically logs in disk A, prompts the user with the symbol "A>" (indicating that CP/M is currently addressing disk "A"), and waits for a command. The commands are implemented to two levels: built-in commands and transient commands.

## ***General Command Structure***

---

Built-in commands are a part of the CCP program itself, while transient commands are loaded into the TPA from disk and executed. The built-in commands are

ERA	Erase specified files.
DIR	Displays file names in the directory.
REN	Rename the specified file.
SAVE	Save memory contents in a file.
TYPE	Type the contents of a file on the logged disk.
USER	Move to another area within the same directory.

Nearly all of the commands reference a particular file or group of files. The form of a file reference is specified below.

## ***File References***

---

A file reference identifies a particular file or group of files on a particular disk attached to CP/M. These file references can be either "unambiguous" (ufn) or "ambiguous" (afn). An unambiguous file reference uniquely identifies a single file, while an ambiguous file reference may be satisfied by a number of different files.

File references consist of two parts: the primary name and the secondary name. Although the secondary name is optional, it usually is generic; that is, the secondary name "ASM," for example, is used to denote that the file is an assembly language source file, while the primary name distinguishes each particular source file. The two names are separated by a "." as shown below:

```
pppppppp.sss
```

Where pppppppp represents the primary name of eight characters

or less, and sss is the secondary name of no more than three characters. As mentioned above, the name

pppppppp

is also allowed and is equivalent to a secondary name consisting of three blanks. The characters used in specifying an unambiguous file reference cannot contain any of the special characters

<> . , ; : = ? \* [ ]

while all alphanumerics and remaining special characters are allowed.

An ambiguous file reference is used for directory search and pattern matching. The form of an ambiguous file reference is similar to an unambiguous reference, except the symbol "?" may be interspersed throughout the primary and secondary names. In various commands throughout CP/M, the "?" symbol matches any character of a file name in the "?" position. Thus, the ambiguous reference

X?Z.C?M

is satisfied by the unambiguous file names

XYZ.COM

and

X3Z.CAM

Note that the ambiguous reference

\*.\*

is equivalent to the ambiguous file reference

?????????.???

while

pppppppp.\*

and

\*.sss

are abbreviations for

pppppppp.???

and

.?????????.sss

respectively. As an example,

DIR \*.\*

is interpreted by the CCP as a command to list the names of all disk files in the directory, while

DIR X.Y

searches only for a file by the name X.Y. Similarly, the command

DIR X?Y.C?M

causes a search for all (unambiguous) file names on the disk which satisfy this ambiguous reference.

The following file names are valid unambiguous file references:

X	XYZ	GAMMA
X.Y	XYZ.COM	GAMMA.1

As an added convenience, the programmer can generally specify the disk drive name along with the file name. In this case, the drive name is given as a letter A through Z followed by a colon (:). The

specified drive is then “logged in” before the file operation occurs. Thus, the following are valid file names with disk name prefixes:

```
A:X.Y      B:XYZ      C:GAMMA
Z:XYZ.COM  B:X.A?M    C:*.ASM
```

It should also be noted that all alphabetic lower case letters in file and drive names are always translated to upper case when they are processed by the CCP.

## ***Switching Disks***

---

The operator can switch the currently logged disk by typing the disk drive name (A, B, C, or D) followed by a colon (:) when the CCP is waiting for console input. Thus, the sequence of prompts and commands shown below might occur after the CP/M system is loaded from disk A:

```
16K CP/M VER 1.4
A>DIR          List all files on disk A.
SAMPLE  ASM
SAMPLE  PRN
A>B:          Switch to disk B.
B>Dir*.ASM    List all “ASM” files on B.
DUMP      ASM
FILES     ASM
B>A:          Switch back to A.
```

## ***Form of Built-in Commands***

---

The file and device reference forms described above can now be used to fully specify the structure of the built-in commands. In the

description below, assume the following abbreviations:

```
ufn      unambiguous file reference
afn      ambiguous file reference
cr       carriage return
```

Further, recall that the CCP always translates lower case characters to upper case characters internally. Thus, lower case alphabetic characters are treated as if they are upper case in command names and file references.

## ***ERase Command***

ERA afn

The ERA (erase) command removes files from the currently logged-in disk (i.e., the disk name currently prompted by CP/M preceding the “>”). The files which are erased are those which satisfy the ambiguous file reference afn. The following examples illustrate the use of ERA:

```
ERA X.Y      The file named X.Y on the currently
              logged disk is removed from the disk
              directory, and the space is returned.
ERA X.*      All files with primary name X are
              removed from the current disk.
ERA *.ASM    All files with secondary name ASM
              are removed from the current disk.
ERA X?Y.C?M  All files on the current disk which
              satisfy the ambiguous reference
              X?Y.C?M are deleted.
ERA *.*      Erase all files in the current user's
              directory. (See USER, page 15.) The
              CCP prompts with the message
```

ALL (Y/N)?

which requires a Y response before files are actually removed.

ERA B:\*.PRN      All files on drive B which satisfy  
the ambiguous reference  
                  ?????????.PRN  
are deleted, independently of the  
currently logged disk.

## ***DIRectory Command***

DIR afn

The DIR(directory) command causes the names of all files which satisfy the ambiguous file name afn to be listed at the console device. As a special case, the command

DIR

lists the files on the currently logged disk (the command "DIR" is equivalent to the command "DIR \*.\*"). Valid DIR commands are shown below.

DIR X.Y  
DIR X?Z.C?M  
DIR ??Y

Similar to other CCP commands, the afn can be preceded by a drive name. The following DIR commands cause the selected drive to be addressed before the directory search takes place.

DIR B:  
DIR B:X.Y  
DIR B:\*.A?M

If no files can be found on the selected diskette which satisfy the directory request, then the message "NOT FOUND" is typed at the console.

## ***REName Command***

REN ufn2 = ufn1

The REN (rename) command allows the user to change the names of files on disk. The file satisfying ufn2 is changed to ufn1. The currently logged disk is assumed to contain the file to rename (ufn1). The CCP also allows the user to type a left-directed arrow instead of the equal sign, if the user's console supports the graphic character. Examples of the REN command are

REN X.Y = Q.R	The file Q.R is changed to X.Y.
REN XYZ.COM = XYZ.XXX	The file XYZ.XXX is changed to XYZ.COM.

The operator can precede either ufn1 or ufn2 (or both) by an optional drive address. Given that ufn1 is preceded by a drive name, then ufn2 is assumed to exist on the same drive as ufn1. Similarly, if ufn2 is preceded by a drive name, then ufn1 is assumed to reside on that drive as well. If both ufn1 and ufn2 are preceded by drive names, then the same drive must be specified in both cases. The following REN commands illustrate this format.

REN A:X.ASM = Y.ASM	The file Y.ASM is changed to X.ASM on drive A.
REN B:ZAP.BAS = ZOT.BAS	The file ZOT.BAS is changed to ZAP.BAS on drive B.
REN B:A.ASM = B:A.BAK	The file A.BAK is renamed to A.ASM on drive B.

If the file ufn1 is already present, the REN command will respond with the error "FILE EXISTS" and not perform the change. If ufn2 does not exist on the specified diskette, then the message "NOT FOUND" is printed at the console.

## **SAVE Command**

SAVE n ufn

The SAVE command places n pages (256-byte blocks) onto disk from the TPA and names this file ufn. In the CP/M distribution system, the TPA starts at 100H (hexadecimal), which is the second page of memory. Thus, if the user's program occupies the area from 100H through 2FFH, the SAVE command must specify two pages of memory. The machine code file can be subsequently loaded and executed. Examples are:

SAVE 3 X.COM	Copies 100H through 3FFH to X.COM.
SAVE 40 Q	Copies 100H through 28FFH to Q (note that 28 is the page count in 28FFH, and that $28H = 2 \times 16 + 8 = 40$ decimal).
SAVE 4 X.Y	Copies 100H through 4FFH to X.Y.

The SAVE command can also specify a disk drive in the afn portion of the command, as shown below.

SAVE 10 B:ZOT.COM	Copies 10 pages (100H through 0AFFH) to the file ZOT.COM on drive B.
-------------------	--

The SAVE operation can be used any number of times without altering the memory image.

## **TYPE Command**

TYPE ufn

The TYPE command displays the contents of the ASCII source file ufn on the currently logged disk at the console device. Valid

TYPE commands are

```
TYPE X.Y
TYPE X.PLM
TYPE XXX
```

The TYPE command expands the tabs (ctI-I characters), assuming tab positions are set at every eighth column. The ufn can also reference a drive name as shown below.

TYPE B:X.PRN	The file X.PRN from drive B is displayed.
--------------	---

## **USER Command**

USER n

Where n is an integer value in the range 0 to 15.

Upon cold start, the operator is automatically "logged" into user area number 0. The operator may issue the USER command at any time to move to another logical area within the same directory.

Drives which are logged in while addressing one user number are automatically active when the operator moves to another user number since a user number is simply a prefix which accesses particular directory entries on the active disks.

The active user number is maintained until changed by a subsequent USER command, or until a cold start operation when user 0 is again assumed.

## **Line Editing and Output Control**

The CCP allows certain line editing functions while typing command lines. "Control" indicates that the Control key and the indicated key are to be pressed simultaneously. CCP commands can generally be

up to 255 characters in length; they are not acted upon until the carriage return key is pressed.

rubout/delete	Remove and echo last character typed.
Control C	Reboot CP/M when at beginning of line.
Control E	Physical end of line: carriage is returned, but line is not sent until the carriage return key is depressed.
Control H	Backspace one character position. Produces the backspace overwrite function. Can be changed internally to another character, such as delete, through a simple single byte change.
Control J	Line feed. Terminates current input.
Control M	Carriage return. Terminates input.
Control R	Retype current command line after new line.
Control X	Backspace to beginning of current line.

The line editor keeps track of the current prompt column position so that the operator can properly align data input following a Control R or Control X command.

The control functions Control P and Control S affect console output as shown below.

Control P	Copy all subsequent console output to the currently assigned list device (see the STAT command). Output is sent to both the list device and the console device until the next Control P is typed.
Control S	Stop the console output temporarily. Program execution and output continue when the next character is typed at the console (e.g., another Control S). This feature is used to stop output on

high speed consoles, such as CRT's, in order to view a segment of output before continuing.

## ***Transient Commands***

---

Transient commands are loaded from the currently logged disk and executed in the TPA. The transient commands defined for execution under the CCP are shown below. Additional functions can easily be defined by the user (see the LOAD command definition).

STAT	List the number of bytes of storage remaining on the currently logged disk, provide statistical information about particular files, and display or alter device assignment.
ASM	Load the CP/M assembler and assemble the specified program from disk.
LOAD	Load the file in Intel "hex" machine code format and produce a file in machine executable form which can be loaded into the TPA (this loaded program becomes a new command under the CCP).
DDT	Load the CP/M debugger into TPA and start execution.
PIP	Load the Peripheral Interchange Program for subsequent disk file and peripheral transfer operations.
ED	Load and execute the CP/M text editor program.
SUBMIT	Submit a file of commands for batch processing.
DUMP	Dump the contents of a file in hex.

Transient commands are specified in the same manner as built-in commands, and additional commands can be easily defined by the user. As an added convenience, the transient command can be preceded by a drive name, which causes the transient to be loaded from the specified drive into the TPA for execution. Thus, the command

```
B:STAT
```

causes CP/M to temporarily "log in" drive B for the source of the STAT transient, and then return to the original logged disk for subsequent processing.

The basic transient commands are listed in detail below.

## STAT

The STAT command provides general statistical information about file storage and device assignment. It is initiated by typing one of the following forms:

```
STAT
STAT "command line"
```

Special forms of the "command line" allow the current device assignment to be examined and altered as well. The various command lines which can be specified are shown below, with an explanation of each form shown to the right.

```
STAT <cr>
```

If the user types an empty command line, the STAT transient calculates the storage remaining on all active drives, and prints a message

```
  x: R/W, SPACE: nnnK
or
  x: R/O, SPACE: nnnK
```

for each active drive x, where R/W indicates the drive may be read or written, and R/O indicates the drive is read only (a drive becomes R/O by explicitly setting it to read only, as

shown below, or by inadvertently changing diskettes without performing a warm start). The space remaining on the diskette in drive x is given in kilobytes by nnn.

```
STAT x: <cr>
```

If a drive name is given, then the drive is selected before the storage is computed. Thus, the command "STAT B:" could be issued while logged into drive A, resulting in the message

```
  BYTES REMAINING ON B: nnnK
```

```
STAT afn <cr>
```

The command line can also specify a set of files to be scanned by STAT. The files which satisfy afn are listed in alphabetical order, with storage requirements for each file under the heading

```
RECS BYTS EX    D:FILENAME.TYP
rrrr  bbbK ee    d:pppppppp.sss
```

where rrrr is the number of 128-byte records allocated to the file, bbb is the number of kilobytes allocated to the file ( $bbb = rrrr * 128 / 1024$ ), ee is the number of 16K extensions ( $ee = bbb / 16$ ), d is the drive name containing the file (A...Z), pppppppp is the (up to) eight-character primary file name, and sss is the (up to) three-character secondary name. After listing the individual files, the storage usage is summarized.

```
STAT x:afn <cr>
```

As a convenience, the drive name can be given ahead of the afn. In this case, the specified drive is first selected, and the form "STAT afn" is executed.

STAT d:filename.typ \$S<cr>

("d:" is optional drive name and

"filename.typ" is an unambiguous or ambiguous file name)

Produces the output display format:

Size	Recs	Bytes	Ext	Acc
48	48	6K	1	R/O A:ED.COM
55	55	12K	1	R/O (A:PIP.COM)
65536	128	2K	2	R/W A:X.DAT

The \$S parameter causes the "Size" field to be displayed. (The command may be used without the \$S if desired.) The Size field lists the virtual file size in records, while the "Recs" field sums the number of virtual records in each extent. For files constructed sequentially, the Size and Recs fields are identical. The "Bytes" field lists the actual number of bytes allocated to the corresponding file. The minimum allocation unit is determined at configuration time, and thus the number of bytes corresponds to the record count plus the remaining unused space in the last allocated block for sequential files. Random access files are given data areas only when written, so the Bytes field contains the only accurate allocation figure. In the case of random access, the Size field gives the logical end-of-file record position and the Recs field counts the logical records of each extent (each of these extents, however, may contain unallocated "holes" even though they are added into the record count). The "Ext" field counts the number of local 16K extents allocated to the file. The "Acc" field gives the R/O or R/W access mode, which is changed using the commands shown below. The parentheses shown around the PIP.COM file name indicate that it has the "system"

indicator set, so that it will not be listed in DIR commands.

STAT d:filename.typ \$R/O <cr>

Places the file or set of files in a read-only status until changed by a subsequent STAT command. The R/O status is recorded in the directory with the file so that it remains R/O through intervening cold start operations. When a file is marked R/O, attempts to erase or write into the file result in a terminal BDOS message: Bdos Err on D: File R/O.

STAT d:filename.typ \$R/W <cr>

Places the file in a permanent read/write status.

STAT d:filename.typ \$SYS <cr>

Attaches the system indicator to the file.

STATd:filename.typ \$DIR <cr>

Removes the system indicator from the file.

STAT d:DSK: <cr>

Lists the drive characteristics of the disk named by "d:" which is in the range A:, B:, ..., P:. The drive characteristics are listed in the format:

d:	Drive Characteristics
65536:	128 Byte Record Capacity
8192:	Kilobyte Drive Capacity
128:	32 Byte Directory Entries
0:	Checked Directory Entries
1024:	Records/Extent
128:	Records/Block
58:	Sectors/Track
2:	Reserved Tracks

The total record capacity is listed, followed by the total drive capacity listed in Kbytes. The number of checked entries is usually identical to the directory size for removable media, since this mechanism is used to detect changed media during CP/M operation without an intervening warm



start. The number of records per extent determines the addressing capacity of each directory entry (1024 times 128 bytes, or 128K in the example above). The number of records per block shows the basic allocation size (in the example, 128 records/block times 128 bytes per record, or 16K bytes per block). The listing is then followed by the number of physical sectors per track and the number of reserved tracks.

STAT DSK: <cr> Lists drive characteristics as above for all currently active drives.

STATUSR: <cr> Produces a list of the user numbers which have files on the currently addressed disk. The display format is:

Active User: 0  
Active Files: 0 1 3

where the first line lists the currently addressed user number, as set by the last CCP USER command, followed by a list of user numbers scanned from the current directory. In the above case, the active user number is 0 (default at cold start), with three user numbers which have active files on the current disk. The operator can subsequently examine the directories of the other user numbers by logging in with USER 1, USER 2, or USER 3 commands, followed by a DIR command at the CCP level.

The STAT command also allows control over the physical to logical device assignment (see the IOBYTE function described in the "CP/M Interface Guide"). In general, there are four logical peripheral devices which are, at any particular instant, each assigned to one of several physical peripheral devices. The four logical devices are named:

CON: The system console device (used by CCP for communication with the operator)

RDR: The paper tape reader device  
PUN: The paper tape punch device  
LST: The output list device

The actual devices attached to any particular computer system are driven by subroutines in the BIOS portion of CP/M. Thus, the logical RDR: device, for example, could actually be a high speed reader, Teletype reader, or cassette tape. In order to allow some flexibility in device naming and assignment, several physical devices are defined, as shown below:

TTY: Teletype device (slow speed console)  
CRT: Cathode ray tube device (high speed console)  
BAT: Batch processing (console is current RDR:, output goes to current LST: device)  
UC1: User-defined console  
PTR: Paper tape reader (high speed reader)  
UR1: User-defined reader #1  
UR2: User-defined reader #2  
PTP: Paper tape punch (high speed punch)  
UP1: User-defined punch #1  
UP2: User-defined punch #2  
LPT: Line printer  
UL1: User-defined list device #1

It must be emphasized that the physical device names may or may not actually correspond to devices which the names imply. That is, the PTP: device may be implemented as a cassette write operation, if the user wishes. The exact correspondence and driving subroutine is defined in the BIOS portion of CP/M.

The command:

```
STAT VAL: <cr>
```

produces a summary of the available status commands, resulting in the output:

```
Temp R/O Disk:    d: = R/O
Set Indicator:    d:filename.typ $R/O $R/W $SYS $DIR
Disk Status:     DSK:    d:DSK:
User Status:     USR:
lobyte Assign:
CON. = TTY:      CRT:      BAT:      UC1:
RDR: = TTY:      PTR:      UR1:      UR2:
PUN: = TTY:      PTP:      UP1:      UP2:
LST: = TTY:      CRT:      LPT:      UL1:
```

In each case, the logical device shown to the left can take any of the four physical assignments shown to the right on each line. The current logical to physical mapping is displayed by typing the command

```
STAT DEV: <cr>
```

which produces a listing of each logical device to the left, and the current corresponding physical device to the right. For example, the list might appear as follows:

```
CON: = CRT:
RDR: = UR1:
PUN: = PTP:
LST: = TTY:
```

The current logical to physical device assignment can be changed by typing a STAT command of the form

```
STAT ld1 = pd1, ld2 = pd2 , ... , ldn = pdn <cr>
```

where ld1 through ldn are logical device names, and pd1 through

pdn are compatible physical device names (i.e., ldi and pdi appear on the same line in the "VAL:" command shown above). The following are valid STAT commands which change the current logical to physical device assignments:

```
STAT CON: = CRT: <cr>
STAT PUN: = TTY:,LST: = LPT:,RDR: = TTY: <cr>
```

## ASM ufn

The ASM command loads and executes the CP/M 8080 assembler. The ufn specifies a source file containing assembly language statements where the secondary name is assumed to be ASM, and thus is not specified. The following ASM commands are valid:

```
ASM X
ASM GAMMA
```

The two-pass assembler is automatically executed. If assembly errors occur during the second pass, the errors are printed at the console.

The assembler produces a file

```
x.PRN
```

where x is the primary name specified in the ASM command. The PRN file contains a listing of the source program (with imbedded tab characters if present in the source program), along with the machine code generated for each statement and diagnostic error messages, if any. The PRN file can be listed at the console using the TYPE command, or sent to a peripheral device using PIP (see the PIP command structure below). Note also that the PRN file contains the original source program, augmented by miscellaneous assembly information in the leftmost 16 columns (program addresses and hexadecimal machine code, for example). Thus, the PRN file can serve as a backup for the original source file: if the source file is accidentally removed or destroyed, the PRN file can be edited (see the ED operator's guide) by removing the leftmost 16 characters of each line (this can be done by issuing a single editor "macro" command). The resulting file is identical to the original source file and can be renamed (REN) from PRN to

ASM for subsequent editing and assembly. The file

x.HEX

is also produced which contains 8080 machine language in Intel "hex" format suitable for subsequent loading and execution (see the LOAD command). For complete details of CP/M's assembly language program, see the "CP/M Assembler Language (ASM) User's Guide."

Similar to other transient commands, the source file for assembly can be taken from an alternate disk by prefixing the assembly language file name by a disk drive name. Thus, the command

```
ASM B:ALPHA <cr>
```

loads the assembler from the currently logged drive and operates upon the source program ALPHA.ASM on drive B. The HEX and PRN files are also placed on drive B in this case.

### **LOAD ufn cr**

The LOAD command reads the file ufn, which is assumed to contain "hex" format machine code, and produces a memory image file which can be subsequently executed. The file name ufn is assumed to be of the form

x.HEX

and thus only the name x need be specified in the command. The LOAD command creates a file named

x.COM

which marks it as containing machine executable code. The file is actually loaded into memory and executed when the user types the file name x immediately after the prompting character ">" printed by the CCP.

In general, the CCP reads the name x following the prompting character and looks for a built-in function name. If no function

name is found, the CCP searches the system disk directory for a file by the name

x.COM

If found, the machine code is loaded into the TPA, and the program executes. Thus, the user need only LOAD a hex file once; it can be subsequently executed any number of times by simply typing the primary name. In this way, the user can "invent" new commands in the CCP. (Initialized disks contain the transient commands as COM files, which can be deleted at the user's option.) The operation can take place on an alternate drive if the file name is prefixed by a drive name. Thus

```
LOAD B:BETA
```

brings the LOAD program into the TPA from the currently logged disk and operates upon drive B after execution begins.

It must be noted that the BETA.HEX file must contain valid Intel format hexadecimal machine code records (as produced by the ASM program, for example) which begin at 100H, the beginning of the TPA. Further, the addresses in the hex records must be in ascending order; gaps in unfilled memory regions are filled with zeroes by the LOAD command as the hex records are read. Thus, LOAD must be used only for creating CP/M standard "COM" files which operate in the TPA. Programs which occupy regions of memory other than the TPA can be loaded under DDT.

### **PIP**

PIP is the CP/M Peripheral Interchange Program which implements the basic media conversion operations necessary to load, print, punch, copy, and combine disk files. The PIP program is initiated by typing one of the following forms

```
PIP <cr>
PIP "command line" <cr>
```

In both cases, PIP is loaded into the TPA and executed. In case 1, PIP reads command lines directly from the console, prompted with the "\*" character, until an empty command line is typed (i.e., a single carriage return is issued by the operator). Each successive

command line causes some media conversion to take place according to the rules shown below. Form 2 of the PIP command is equivalent to the first, except that the single command line given with the PIP command is automatically executed, and PIP terminates immediately with no further prompting of the console for input command lines. The form of each command line is

destination = source #1, source #2, ..., source #n <cr>

where "destination is the file or peripheral device to receive the data, and "source #1, ..., source #n" represents a series of one or more files or devices which are copied from left to right to the destination.

When multiple files are given in the command line (i.e., n>1), the individual files are assumed to contain ASCII characters, with an assumed CP/M end-of-file character (ctl-Z) at the end of each file (see the O parameter to override this assumption). The equal symbol (=) can be replaced by a left-oriented arrow, if your console supports this ASCII character, to improve readability. Lower case ASCII alphabets are internally translated to upper case to be consistent with CP/M file and device name conventions. Finally, the total command line length cannot exceed 255 characters (ctl-E can be used to force a physical carriage return for lines which exceed the console width).

The destination and source elements can be unambiguous references to CP/M source files, with or without a preceding disk drive name. That is, any file can be referenced with a preceding drive name (A:, B:, C:, or D:) which defines the particular drive where the file may be obtained or stored. When the drive name is not included, the currently logged disk is assumed. Further, the destination file can also appear as one or more of the source files, in which case the source file is not altered until the entire concatenation is complete. If the destination file already exists, it is removed if the command line is properly formed (it is not removed if an error condition arises). The following command lines (with explanations to the right) are valid as input to PIP:

X = Y <cr> Copy to file X from file Y, where X and Y are unambiguous file names; Y remains unchanged.

X = Y,Z <cr> Concatenate files Y and Z and copy to file X, with Y and Z unchanged.

X.ASM = Y.ASM,Z.ASM,FIN.ASM <cr> Create the file X.ASM from the concatenation of the Y, Z, and FIN files with type ASM.

NEW.ZOT = B:OLD.ZAP <cr> Move a copy of OLD.ZAP from drive B to the currently logged disk; name the file NEW.ZOT.

B:A.U. = B:B.V,A:C.W,D.X <cr> Concatenate file B.V from drive B with C.W from drive A and D.X. from the logged disk; create the file A.U on drive B.

For more convenient use, PIP allows abbreviated commands for transferring files between disk drives. The abbreviated forms are

PIP x: = afn <cr>  
 PIP x: = y:afn <cr>  
 PIP ufn = y: <cr>  
 PIP x:ufn = y: <cr>

The first form copies all files from the currently logged disk which satisfy the afn to the same file names on drive x (x = A...Z). The second form is equivalent to the first, where the source for the copy is drive y (y = A...Z). The third form is equivalent to the command "PIP ufn = y:ufn <cr>" which copies the file given by ufn from drive y to the file ufn on drive x. The fourth form is equivalent to the third, where the source disk is explicitly given by y.

Note that the source and destination disks must be different in all of these cases. If an afn is specified, PIP lists each ufn which satisfies the afn as it is being copied. If a file exists by the same name as the destination file, it is removed upon successful completion of the copy, and replaced by the copied file.

The following PIP commands give examples of valid disk-to-disk copy operations:

B: = \*.COM <cr> Copy all files which have the secondary name "COM" to drive B from the current drive.

A: = B:ZAP.\* <cr> Copy all files which have the primary name "ZAP" to drive A from drive B.

ZAP.ASM = B: <cr> Equivalent to ZAP.ASM = B:ZAP.ASM

B:ZOT.COM = A: <cr> Equivalent to B:ZOT.COM = A:ZOT.COM

B: = GAMMA.BAS <cr> Same as B:GAMMA.BAS = GAMMA.BAS

B: = A:GAMMA.BAS <cr> Same as B:GAMMA.BAS = A:GAMMA.BAS

PIP also allows reference to physical and logical devices which are attached to the CP/M system. The device names are the same as given under the STAT command, along with a number of specially named devices. The logical devices given in the STAT command are

CON: (console), RDR: (reader), PUN: (punch), and LST: (list)

while the physical devices are

TTY: (console, reader, punch, or list)  
 CRT: (console, or list) UC1: (console)  
 PTR: (reader), UR1: (reader), UR2: (reader)  
 PTP: (punch), UP1: (punch), UP2: (punch)  
 LPT: (list), UL1: (list)

(Note that the "BAT:" physical device is not included, since this assignment is used only to indicate that the RDR: and LST: devices are to be used for console input/output.)

The RDR, LST, PUN, and CON devices are all defined within the BIOS portion of CP/M. (The current physical device mapping is

defined by IOBYTE; see the "CP/M Interface Guide" for a discussion of this function.). The destination device must be capable of receiving data (i.e., data cannot be sent to the punch), and the source devices must be capable of generating data (i.e., the LST: device cannot be read).

The additional device names which can be used in PIP commands are

NUL: Send 40 "nulls" (ASCII 0's) to the device (this can be issued at the end of punched output).

EOF: Send a CP/M end-of-file (ASCII ctl-Z) to the destination device (sent automatically at the end of all ASCII data transfers through PIP).

INP: Special PIP input source which can be "patched" into the PIP program itself: PIP gets the input data character-by-character by CALLing location 103H, with data returned in location 109H (parity bit must be zero).

OUT: Special PIP output destination which can be patched into the PIP program: PIP CALLs location 106H with data in register C for each character to transmit. Note that locations 109H through 1FFH of the PIP memory image are not used and can be replaced by special purpose drivers using DDT (see the DDT operator's manual).

PRN: Same as LST:, except that tabs are expanded at every eighth character position, lines are numbered, and page ejects are inserted every 60 lines, with an initial eject (same as [t8np]).

File and device names can be interspersed in the PIP commands. In each case, the specific device is read until end-of-file (ctl-Z for ASCII files, and a real end of file for non-ASCII disk files). Data from each device or file is concatenated from left to right until the last data source has been read. The destination device or file is written using the data from the source files, and an end-of-file character (ctl-Z) is appended to the result for ASCII files. Note that if the destination is a disk file, a temporary file is created (\$\$\$ secondary name) which is changed to the actual file name only

upon successful completion of the copy. Files with the extension "COM" are always assumed to be non-ASCII.

The copy operation can be aborted at any time by depressing any key on the keyboard (a rubout suffices). PIP will respond with the message "ABORTED" to indicate that the operation was not completed. Note that if any operation is aborted, or if an error occurs during processing, PIP removes any pending commands which were set up while using the SUBMIT command.

It should also be noted that PIP performs a special function if the destination is a disk file with type "HEX" (an Intel hex formatted machine code file), and the source is an external peripheral device, such as a paper tape reader. In this case, the PIP program checks to ensure that the source file contains a properly formed hex file, with legal hexadecimal values and checksum records. When an invalid input record is found, PIP reports an error message at the console and waits for corrective action. For convenience, PIP allows the end-of-file to be entered from the console if the source file is a RDR: device. In this case, the PIP program reads the device and monitors the keyboard. If ctl-Z is typed at the keyboard, then the read operation is terminated normally.

Valid PIP commands are shown below.

PIP LST: = X.PRN <cr>      Copy X.PRN to the LST device and terminate the PIP program.

PIP <cr>                      Start PIP for a sequence of commands (PIP prompts with "\*").

\*CON: = X.ASM,Y.ASM,Z.ASM <cr>      Concatenate three ASM files and copy to the CON device.

\*X.HEX = CON:,Y.HEX,PTR: <cr>      Create a HEX file by reading CON (until a ctl-Z is typed), followed by data from Y.HEX, followed by data from PTR until a ctl-Z is encountered.

\*<cr>                          Single carriage return stops PIP.

PIP PUN: = NUL:,X.ASM,EOF:,NUL: <cr>      Send 40 nulls to the punch device; then copy the X.ASM file to the punch, followed by an end-of-file (ctl-Z) and 40 more null characters.

The user can also specify one or more PIP parameters, enclosed in left and right square brackets, separated by zero or more blanks. Each parameter affects the copy operation, and the enclosed list of parameters must immediately follow the affected file or device. Generally, each parameter can be followed by an optional decimal integer value (the S and Q parameters are exceptions). The valid PIP parameters are listed below.

- B      Block mode transfer: data is buffered by PIP until an ASCII x-off character (ctl-S) received from the source device. This allows transfer of data to a disk file from a continuous reading device, such as a cassette reader. Upon receipt of the x-off, PIP clears the disk buffers and returns for more input data. The amount of data which can be buffered is dependent upon the memory size of the host system (PIP will issue an error message if the buffers overflow).
- Dn     Delete characters which extend past column n in the transfer of data to the destination from the character source. This parameter is used most often to truncate long lines which are sent to a (narrow) printer or console device.
- E      Echo all transfer operations to the console as they are being performed.
- F      Filter form feeds from the file. All imbedded form feeds are removed. The P parameter can be used simultaneously to insert new form feeds.

- Gn Get file from user number n. (n is the range 0-15.) Allows one user area to receive data files from another. If the operator has issued the USER 4 command at the CCP level, the PIP statement
- PIP X.Y = X.Y[G2]
- reads file X.Y from user number 2 into user area number 4. You cannot copy files into a different area than the one which is currently addressed by the USER command.
- H Hex data transfer: all data is checked for proper Intel hex file format. Non-essential characters between hex records are removed during the copy operation. The console will be prompted for corrective action in case errors occur.
- I Ignore “:00” records in the transfer of Intel hex format file (the I parameter automatically sets the H parameter).
- L Translate upper case alphabetic to lower case.
- N Add line numbers to each line transferred to the destination, starting at one, and incrementing by 1. Leading zeroes are suppressed, and the number is followed by a colon. If N2 is specified, then leading zeroes are included, and a tab is inserted following the number. The tab is expanded if T is set.
- O Object file (non-ASCII) transfer: the normal CP/M end of file is ignored.
- Pn Include page ejects at every n lines (with an initial page eject). If n = 1 or is excluded altogether, page ejects occur every 60 lines. If the F parameter is used, form feed suppression takes place before the new page ejects are inserted.
- Qs↑z Quit copying from the source device or file when the string s (terminated by ctl-Z) is encountered.

- R Read system files. Allows files with the system attribute to be included in PIP transfers. Otherwise, system files are not recognized.
- Ss↑z Start copying from the source device when the string s is encountered (terminated by ctl-Z). The S and Q parameters can be used to “abstract” a particular section of a file (such as a subroutine). The start and quit strings are always included in the copy operation.

**Note**

The strings following the s and q parameters are translated to upper case by the CCP if form (2) of the PIP command is used. Form (1) of the PIP invocation, however, does not perform the automatic upper case translation.

- (1) PIP <cr>  
 (2) PIP “command line” <cr>

- Tn Expand tabs (ctl-I characters) to every nth column during the transfer of characters to the destination from the source.
- U Translate lower case alphabetic to upper case during the copy operation.
- V Verify that data has been copied correctly by rereading after the write operation (the destination must be a disk file).
- W Write over R/O files without console interrogation. Under a normal operation, PIP will not automatically overwrite a file which is set to a permanent R/O status. It advises the user of the R/O status and waits for overwrite approval. W allows the user to bypass this interrogation process.
- Z Zero the parity bit on input for each ASCII character.

The following are valid PIP commands which specify parameters in the file transfer:

PIP X.ASM = B:[v] <cr> Copy X.ASM from drive B to the current drive and verify that the data was properly copied.

PIP LST: = X.ASM[nt8u] <cr>  
Copy X.ASM to the LST: device; number each line, expand tabs to every eighth column, and translate lower case alphabetic to upper case.

PIP PUN: = X.HEX[i],Y.ZOT[h] <cr>  
First copy X.HEX to the PUN: device and ignore the trailing ":00" record in X.HEX; then continue the transfer of data by reading Y.ZOT, which contains hex records, including any ":00" records which it contains.

PIP X.LIB = Y.ASM [sSUBR1:↑z qJMP L3↑z] <cr>  
Copy from the file Y.ASM into the file X.LIB. Start the copy when the string "SUBR1:" has been found, and quit copying after the string "JMP L3" is encountered.

PIP LST: = X.ASM[p50] Send X.ASM to the LST: device, with line numbers, tabs expanded to every eighth column, and page ejects at every 50th line. Note that nt8p60 is the assumed parameter list for a LST file; p50 overrides the default value.

Note that the PIP program itself is initially copied to a user area (so that subsequent files can be copied) using the SAVE command. The sequence of operations shown below effectively moves PIP from one user area to the next.

USER 0	login user 0
DDT PIP.COM (note PIP size s)	load PIP in memory
G0	return to CCP
USER 3	login user 3
SAVE s PIP.com	

where s is the integral number of memory "pages" (256 byte segments) occupied by PIP. The number s can be determined when PIP.COM is located under DDT, by referring to the value under the "NEXT" display. If for example, the next available address is 1D00, then PIP.COM requires 1C hexadecimal pages (or 1 times 16+12 = 28 pages), and thus the value of s is 28 in the subsequent save. Once PIP is copied in this manner, it can then be copied to another disk belonging to the same user number through normal PIP transfers.

## ED

The ED program is the CP/M system context editor, which allows creation and alteration of ASCII files in the CP/M environment. Complete details of operation are given in Chapter 3 CP/M ED. In general, ED allows the operator to create and operate upon source files which are organized as a sequence of ASCII characters, separated by end-of-line characters (a carriage-return line-feed sequence). There is no practical restriction on line length (no single line can exceed the size of the working memory), which is instead defined by the number of characters typed between <cr>'s. The ED program has a number of commands for character string searching, replacement, and insertion, which are useful in the creation and correction of programs or text files under CP/M. Although the CP/M has a limited memory work space area, the file size which can be edited is not limited, since data is easily "paged" through this work area.

Upon initiation, ED creates the specified source file, if it does not exist, and opens the file for access. The programmer then "appends" data from the source file into the work area, if the source file already exists (see the A command), for editing. The appended data can then be displayed, altered, and written from the



work area back to the disk (see the W command). Particular points in the program can be automatically paged and located by context (see the N command), allowing easy access to particular portions of a large file.

Given that the operator has typed

```
ED X.ASM <cr>
```

the ED program creates an intermediate work file with the name

```
X.$$$
```

to hold the edited data during the ED run. Upon completion of ED, the X.ASM file (original file) is renamed to X.BAK, and the edited work file is renamed to X.ASM. Thus, the X.BAK file contains the original (unedited) file, and the X.ASM file contains the newly edited file. The operator can always return to the previous version of a file by removing the most recent version, and renaming the previous version. Suppose, for example, that the current X.ASM file was improperly edited; the sequence of CCP commands shown below would reclaim the backup file.

DIR X.*	Check to see that BAK file is available.
ERA X.ASM	Erase most recent version.
REN X.ASM = X.BAK	Rename the BAK file to ASM.

Note that the operator can abort the edit at any point (reboot, power failure, ctrl-C, or Q command) without destroying the original file. In this case, the BAK file is not created, and the original file is always intact.

The ED program also allows the user to "ping-pong" the source and create backup files between two disks. The form of the ED command in this case is

```
ED ufn d:
```

where ufn is the name of a file to edit on the currently logged disk and d is the name of an alternate drive. The ED program reads

and processes the source file, and writes the new file to drive d, using the name ufn. Upon completion of processing, the original file becomes the backup file. Thus, if the operator is addressing disk A, the following command is valid:

```
ED X.ASM B:
```

which edits the file X.ASM on drive A, creating the new file X.\$\$\$ on drive B. Upon completion of a successful edit, A:X.ASM is renamed to A:X.BAK, and B:X.\$\$\$ is renamed to B:X.ASM. For user convenience, the currently logged disk becomes drive B at the end of the edit. Note that if a file by the name B:X.ASM exists before the editing begins, the message

```
FILE EXISTS
```

is printed at the console as a precaution against accidentally destroying a source file. In this case, the operator must first ERASE the existing file and then restart the edit operation.

Similar to other transient commands, editing can take place on a drive different from the currently logged disk by preceding the source file name by a drive name. Examples of valid edit requests are shown below

ED A:X.ASM	Edit the file X.ASM on drive A, with new file and backup on drive A.
ED B:X.ASM A:	Edit the file X.ASM on drive B to the temporary file X.\$\$\$ on drive A. On termination of editing, change X.ASM on drive B to X.BAK, and change X.\$\$\$ on drive A to X.ASM.

ED takes file attributes into account. If the operator attempts to edit a read/only file, the message

```
**FILE IS READ/ONLY**
```

appears at the console. The file can be loaded and examined, but cannot be altered in any way. Normally the operator simply ends

the edit session, and uses STAT to change the file attribute to R/W. If the edited file has the system attribute set, the message

```
"SYSTEM" FILE NOT ACCESSIBLE
```

is displayed at the console, and the edit session is aborted. Again, the STAT program can be used to change the system attribute if desired.

## **SUBMIT**

The SUBMIT command allows CP/M commands to be batched together for automatic processing. The format of SUBMIT is:

```
SUBMIT ufn parm #1...parm #n<cr>
```

The ufn given in the SUBMIT command must be the filename of a file which exists on the currently logged disk, with an assumed file type of "SUB." The SUB file contains CP/M prototype commands, with possible parameter substitution. The actual parameters parm #1 ... parm #n are substituted into the prototype commands, and, if no errors occur, the file of substituted commands is processed sequentially by CP/M.

The prototype command file is created using the ED program, with interspersed "\$" parameters of the form

```
$1 $2 $3 ... $n
```

corresponding to the number of actual parameters which will be included when the file is submitted for execution. When the SUBMIT transient is executed, the actual parameters parm #1 ... parm #n are paired with the formal parameters \$1 ... \$n in the prototype commands. If the number of formal and actual parameters does not correspond, then the submit function is aborted with an error message at the console. The SUBMIT function creates a file of substituted commands with the name

```
$$$SUB
```

on the logged disk. When the system reboots (at the termination of

the SUBMIT), this command file is read by the CCP as a source of input, rather than the console. If the SUBMIT function is performed on any disk other than drive A, the commands are not processed until the disk is inserted into drive A and the system reboots. Further, the user can abort command processing at any time by typing a rubout when the command is read and echoed. In this case, the \$\$\$SUB file is removed, and the subsequent commands come from the console. Command processing is also aborted if the CCP detects an error in any of the commands. Programs which execute under CP/M can abort processing of command files when error conditions occur by simply erasing any existing \$\$\$SUB file.

In order to introduce dollar signs into a SUBMIT file, the user may type a "\$\$" which reduces to a single "\$" within the command file. Further, an up-arrow symbol "↑" may precede an alphabetic character x, which produces a single ctl-x character within the file.

The last command in a SUB file can initiate another SUB file, thus allowing chained batch commands.

Suppose the file ASMBL.SUB exists on disk and contains the prototype commands

```
ASM $1
DIR $1.*
ERA *.BAK
PIP $2 = $1.PRN
ERA $1.PRN
```

and the command

```
SUBMIT ASMBL X PRN <cr>
```

is issued by the operator. The SUBMIT program reads the ASMBL.SUB file, substituting "X" for all occurrences of \$1 and "PRN" for all occurrences of \$2, resulting in a \$\$\$SUB file

containing the commands

```
ASM X
DIR X.*
ERA *.BAK
PIP PRN: = X.PRN
ERA X.PRN
```

which are executed in sequence by the CCP.

The SUBMIT function can access a SUB file which is on an alternate drive by preceding the file name by a drive name. Submitted files are only acted upon, however, when they appear on drive A. Thus, it is possible to create a submitted file on drive B which is executed at a later time when it is inserted in drive A.

## ***XSUB***

XSUB extends the power of the SUBMIT facility to include character input during program execution as well as entering command lines. The XSUB command is included as the first line of your submit file and, when executed, self-relocates directly below the CCP.

All subsequent submit command lines are processed by XSUB, so that programs which read buffered console input (BDOS function 10) receive their input directly from the submit file. For example, the file SAVER.SUB could contain the submit lines:

```
XSUB
DDT
I$1.HEX
R
GO
SAVE 1 $2.COM
```

with a subsequent SUBMIT command:

```
SUBMIT SAVER X Y
```

which substitutes X for \$1 and Y for \$2 in the command stream.

The XSUB program loads, followed by DDT which is sent the command lines "IX.HEX" "R" and "GO," thus returning to the CCP. The final command "SAVE 1 Y.COM" is processed by the CCP.

The XSUB program remains in memory, and prints the message

```
(xsub active)
```

on each warm start operation to indicate its presence. Subsequent submit command streams do not require the XSUB, unless an intervening cold start has occurred. Note that XSUB must be loaded after DESPOOL, if both are to run simultaneously.

## ***DUMP***

The DUMP program types the contents of the disk file (ufn) at the console in hexadecimal form. The file contents are listed sixteen bytes at a time, with the absolute byte address listed to the left of each line in hexadecimal. Long typeouts can be aborted by pushing the rubout key during printout. (The source listing of the DUMP program is given in the "CP/M Interface Guide" as an example of a program written for the CP/M environment.)

## ***BDOS Error Messages***

---

There are three error situations which the Basic Disk Operating System intercepts during file processing. When one of these conditions is detected, the BDOS prints the message:

```
BDOS ERR ON x: error
```

where x is the drive name, and "error" is one of the three error messages:

```
BAD SECTOR
SELECT
R/O
```

The "BAD SECTOR" message indicates that the disk controller electronics has detected an error condition in reading or writing

the diskette. This condition is generally due to a malfunctioning disk controller, or an extremely worn diskette. If you find that your system reports this error more than once a month, you should check the state of your controller electronics, and the condition of your media. In any case, recovery from this condition is accomplished by typing a `ctl-C` to reboot (this is the safest!), or a return, which simply ignores the bad sector in the file operation. Note, however, that typing a return may destroy your diskette integrity if the operation is a directory write, so make sure you have adequate backups in this case.

The "SELECT" error occurs when there is an attempt to address a drive beyond the A through D range. In this case, the value of `x` in the error message gives the selected drive. The system reboots following any input from the console.

The R/O (read only) message occurs when there is an attempt to write to a diskette which has been designated as read-only in a `STAT` command, or has been set to read-only by the `BDOS`. In general, the operator should reboot CP/M either by using the warm start procedure `ctl-C` or by performing a cold start whenever the diskettes are changed. If a changed diskette is to be read but not written, `BDOS` allows the diskette to be changed without the warm or cold start, but internally marks the drive as read-only. The status of the drive is subsequently changed to read/write for input from the console. An automatic warm start takes place following any input.

## CP/M 2.0 Interface Guide

- 46 Introduction
- 50 Operating System Call Conventions
- 78 Sample File-to-File Copy Program
- 81 Sample File Dump Utility
- 84 Sample Random Access Program
- 92 System Function Summary

## 2

### CP/M 2.0 Interface Guide

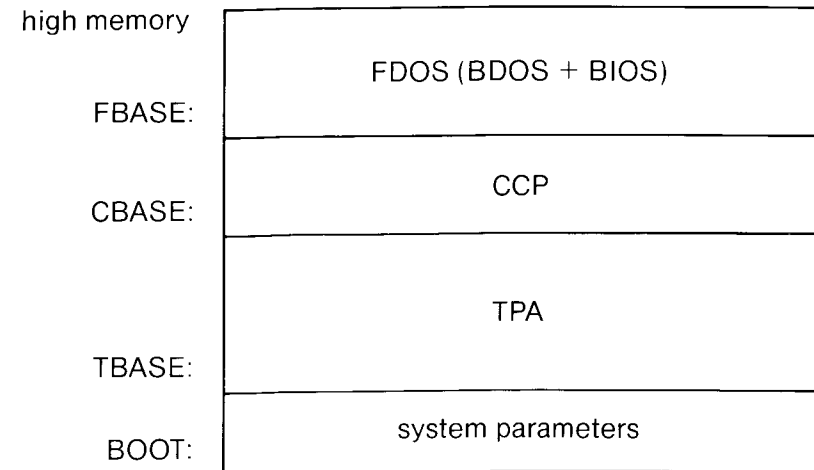
#### Introduction

---

This manual describes CP/M, release 2, system organization including the structure of memory and system entry points. The intention is to provide the necessary information required to write programs which operate under CP/M, and which use the peripheral and disk I/O facilities of the system.

CP/M is logically divided into four parts, called the Basic I/O System (BIOS), the Basic Disk Operating System (BDOS), the Console command processor (CCP), and the Transient Program Area (TPA). The BIOS is a hardware-dependent module which defines the exact low level interface to a particular computer system which is necessary for peripheral device I/O. The BIOS and BDOS are logically combined into a single module with a common entry point, and referred to as the FDOS. The CCP is a distinct program which uses the FDOS to provide a human-oriented interface to the information which is cataloged on the backup storage device. The TPA is an area of memory (i.e., the portion which is not used by the FDOS and CCP) where various non-resistant operating system commands and user programs are executed. The lower portion of memory is reserved for system information and is detailed in later sections.

Memory organization of the CP/M system is shown below:



Base addresses for the two Apple memory configurations that can be used with CP/M are shown in the table below:

Module	44K	56K (Language Card)
CCP	9400H	C400H
BDOS	9C00H	CC00H
BIOS	AA00H	DA00H
Top of RAM	AFFFH	DFFFH

All standard CP/M versions assume BOOT=0000H, which is the base of random access memory. The machine code found at location BOOT performs a system "warm start" which loads and initializes the programs and variables necessary to return control

to the CCP. Thus, transient programs need only jump to location BOOT to return control to CP/M at the command level. Further, the standard versions assume  $TBASE=BOOT+0100H$  which is normally location 0100H. The principal entry point to the FDOS is at location  $BOOT+0005H$  (normally 0005H) where a jump to FBASE is found. The address field at  $BOOT+0006H$  (normally 0006H) contains the value of FBASE and can be used to determine the size of available memory, assuming the CCP is being overlaid by a transient program.

Transient programs are loaded into the TPA and executed as follows. The operator communicates with the CCP by typing command lines following each prompt. Each command line takes one of the forms:

```
command
command file1
command file1 file2
```

where "command" is either a built-in function such as DIR or TYPE, or the name of a transient command or program. If the command is a built-in function of CP/M, it is executed immediately. Otherwise, the CCP searches the currently addressed disk for a file by the name

```
command.COM
```

If the file is found, it is assumed to be a memory image of a program which executes in the TPA, and thus implicitly originates at TBASE in memory. The CCP loads the COM file from the disk into memory starting at TBASE and possibly extending up to CBASE.

If the command is followed by one or two file specifications, the CCP prepares one or two file control block (FCB) names in the system parameter area. These optional FCB's are in the form necessary to access files through the FDOS, and are described in the next section.

The transient program receives control from the CCP and begins execution, perhaps using the I/O facilities of the FDOS. The transient program is "called" from the CCP, and thus can simply return to the CCP upon completion of its processing, or can jump to BOOT to pass control back to CP/M. In the first case, the transient program must not use memory above CBASE, while in the latter case, memory up through  $FBASE-1$  is free.

The transient program may use the CP/M I/O facilities to communicate with the operator's console and peripheral devices, including the disk subsystem. The I/O system is accessed by passing a "function number" and an "information address" to CP/M through the FDOS entry point at  $BOOT+005H$ . In the case of a disk read, for example, the transient program sends the number corresponding to a disk read, along with the address of an FCB to the CP/M FDOS. The FDOS, in turn, performs the operation and returns with either a disk read completion indication or an error number indicating that the disk read was unsuccessful. The function numbers and error indicators are given below.

## Operating System Call Conventions

The purpose of this section is to provide detailed information for performing direct operating system calls from user programs.

CP/M facilities which are available for access by transient programs fall into two general categories: simple device I/O, and disk file I/O. The simple device operations include:

- Read a Console Character
- Write a Console Character
- Read a Sequential Tape Character
- Write a Sequential Tape Character
- Write a List Device Character
- Get or Set I/O Status
- Print Console Buffer
- Read Console Buffer
- Interrogate Console Ready

The FDOS operations which perform disk Input/Output are

- Disk System Reset
- Drive Selection
- File Creation
- File Open
- File Close
- Directory Search
- File Delete
- File Rename
- Random or Sequential Read
- Random or Sequential Write
- Interrogate Available Disks
- Interrogate Selected Disk
- Set DMA Address
- Set/Reset File Indicators

As mentioned above, access to the FDOS functions is accomplished by passing a function number and information address through the primary entry point at location `BOOT+0005H`. In general, the function number is passed in register C with the information address in the double byte pair DE. Single byte values are returned

in register A, with double byte values returned in HL (a zero value is returned when the function number is out of range). For reasons of compatibility, register A=L and register B=H upon return in all cases. The CP/M function numbers are:

0 System Reset	19 Delete File
1 Console Input	20 Read Sequential
2 Console Output	21 Write Sequential
3 Reader Input	22 Make File
4 Punch Output	23 Rename File
5 List Output	24 Return Login Vector
6 Direct Console I/O	25 Return Current Disk
7 Get I/O Byte	26 Set DMA Address
8 Set I/O Byte	27 Get Addr (Alloc)
9 Print String	28 Write Protect Disk
10 Read Console Buffer	29 Get R/O Vector
11 Get Console Status	30 Set File Attributes
12 Return Version Number	31 Get Addr (Disk Parms)
13 Reset Disk System	32 Set/Get User Code
14 Select Disk	33 Read Random
15 Open File	34 Write Random
16 Close File	35 Compute File Size
17 Search for First	36 Set Random Record
18 Search for Next	

(Functions 28 and 32 should be avoided in application programs to maintain upward compatibility with MP/M.)

Upon entry to a transient program, the CCP leaves the stack pointer set to an eight level stack area with the CCP return address pushed onto the stack, leaving seven levels before overflow occurs. Although this stack is usually not used by a transient program (i.e., most transients return to the CCP through a jump to location `0000H`), it is sufficiently large to make CP/M system calls since the FDOS switches to a local stack at system entry. The following assembly language program segment, for example, reads characters continuously until an asterisk is encountered, at which time control returns to the CCP (assuming a standard CP/M system with `BOOT+0000H`):

```

BDOS    EQU    0005H    ;STANDARD CP/M ENTRY
CONIN   EQU    1       ;CONSOLE INPUT FUNCTION
;
;
NEXTC:  ORG    0100H    ;BASE OF TPA
        MVI    C,CONIN ;READ NEXT CHARACTER
        CALL   BDOS    ;RETURN CHARACTER IN <A>
        CPI    '*'     ;END OF PROCESSING?
        JNZ   NEXTC   ;LOOP IF NOT
        RET                    ;RETURN TO CCP
        END

```

CP/M implements a named file structure on each disk, providing a logical organization which allows any particular file to contain any number of records from completely empty to the full capacity of the drive. Each drive is logically distinct with a disk directory and file data area. The disk file names are in three parts: the drive select code, the file name consisting of one to eight non-blank characters, and the file type consisting of zero to three non-blank characters. The file type names the generic category or a particular file, while the file name distinguishes individual files in each category. The file types listed below name a few generic categories which have been established, although they are generally arbitrary:

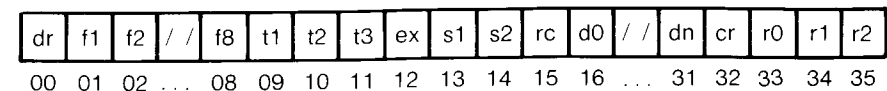
ASM	Assembler Source	PLI	PL/I Source File
PRN	Printer Listing	REL	Relocatable Module
HEX	Hex Machine Code	TEX	TEX Formatter Source
BAS	Basic Source File	BAK	ED Source Backup
INT	Intermediate Code	SYM	SID Symbol File
COM	CCP Command File	\$\$\$	Temporary File

Source files are treated as a sequence of ASCII characters, where each "line" of the source file is followed by a carriage-return line-feed sequence (0DH followed by 0AH). Thus one 128 byte CP/M record could contain several lines of source text. The end of an ASCII file is denoted by a control-Z character (1AH) or a real end of file, returned by the CP/M read operation. Control-Z characters embedded within machine code files (e.g., COM files) are ignored, however, and the end of file condition returned by CP/M is used to terminate read operations.

Files in CP/M can be thought of as a sequence of up to 65536 records of 128 bytes each, numbered from 0 through 65535, thus allowing a maximum of 8 megabytes per file. Note, however, that although the records may be considered logically contiguous, they may not be physically contiguous in the disk data area. Internally, all files are broken into 16K byte segments called logical extents, so that counters are easily maintained as 8-bit values. Although the decomposition into extents is discussed in the paragraphs which follow, they are of no particular consequence to the programmer since each extent is automatically accessed in both sequential and random access modes.

In the file operations starting with function number 15, DE usually addresses a file control block (FCB). Transient programs often use the default file control block area reserved by CP/M at location BOOT+005CH (normally 005CH) for simple file operations. The basic unit of file information is a 128 byte record used for all file operations, thus a default location for disk I/O is provided by CP/M at location BOOT+0080H (normally 0080H) which is the initial default DMA address (see function 26). All directory operations take place in a reserved area which does not affect write buffers as was the case in release 1, with the exception of Search for First and Search for Next, where compatibility is required.

The File Control Block (FCB) data area consists of a sequence of 33 bytes for sequential access and a series of 36 bytes in the case that the file is accessed randomly. The default file control block normally located at 005CH can be used for random access files, since the three bytes starting at BOOT+007DH are available for this purpose. The FCB format is shown with the following fields:





where

dr	drive code (0 - 16) 0=>use default drive for file 1=>auto disk select drive A, 2=>auto disk select drive B, ... 16=>auto disk select drive P.
f1 . . . f8	contain the file name in ASCII upper case, with high bit=0
t1, t2, t3	contain the file type in ASCII upper case, with high bit=0 t1',t2', and t3' denote the bit of these positions, t1'=1=>Read/Only file, t2'=1=>SYS file,no DIR list
ex	contains the current extent number, normally set to 00 by the user, but in range 0 - 31 during file I/O
s1	reserved for internal system use
s2	reserved for internal system use, set to zero on call to OPEN, MAKE, SEARCH
rc	record count for extent "ex," takes on values from 0 - 128
d0 . . . dn	filled-in by CP/M, reserved for system use
cr	current record to read or write in a sequential file operation, normally set to zero by user
r0, r1, r2	optional random record number in the range 0-65535, with overflow to r2, r0, r1 constitute a 16-bit value with low byte r0, and high byte r1

Each file being accessed through CP/M must have a corresponding FCB which provides the name and allocation information for all subsequent file operations. When accessing files, it is the programmer's responsibility to fill the lower sixteen bytes of the FCB and initialize the "cr" field. Normally, bytes 1 through 11 are set to the ASCII character values for the file name and file type, while all other fields are zero.

FCB's are stored in a directory area of the disk, and are brought into central memory before proceeding with file operations (see the OPEN and MAKE functions). The memory copy of the FCB is updated as file operations take place and later recorded permanently on disk at the termination of the file operation (see the CLOSE command).

The CCP constructs the first sixteen bytes of two optional FCB's for a transient by scanning the remainder of the line following the transient name, denoted by "file1" and "file2" in the prototype command line described above, with unspecified fields set to ASCII blanks. The first FCB is constructed at location BOOT+005CH, and can be used as-is for subsequent file operations. The second FCB occupies the d) . . . dn portion of the first FCB, and must be moved to another area of memory before use. If, for example, the operator types

```
PROGNAME B:X.ZOT Y.ZAP
```

the file PROGNAME.COM is loaded into the TPA, and the default FCB at BOOT+005CH is initialized to drive code 2, file name "X" and file type "ZOT." The second drive code takes the default value 0, which is placed at BOOT+006CH, with the file name "Y" placed into location BOOT+006DH and file type "ZAP" located 8 bytes later at BOOT+0075H. All remaining fields through "cr" are set to zero. Note again that it is the programmer's responsibility to move this second file name and type to another area, usually a separate file control block, before opening the file which begins at BOOT+005CH, due to the fact that the open operation will overwrite the second name and type.

If no file names are specified in the original command, then the fields beginning at BOOT+005DH and BOOT+006DH contain

blanks. In all cases, the CCP translates lower case alphabets to upper case to be consistent with the CP/M file naming conventions.

As an added convenience, the default buffer area at location BOOT+0080H is initialized to the command line tail typed by the operator following the program name. The first position contains the number of characters, with the characters themselves following the character count. Given the above command line, the area beginning at BOOT+0080H is initialized as follows:

```
BOOT+0080H:
+00 +01 +02 +03 +04 +05 +06 +07 +08 +09 +10 +11 +12 +13 +14
 14 " " "B" ":" "X" ":" "Z" "O" "T" " " "Y" ":" "Z" "A" "P"
```

where the characters are translated to upper case ASCII with uninitialized memory following the last valid character. Again, it is the responsibility of the programmer to extract the information from this buffer before any file operations are performed, unless the default DMA address is explicitly changed.

The individual functions are described in detail in the pages which follow.

## **Function 0: System Reset**

### *Entry Parameters:*

Register C: 00H

The system reset function returns control to the CP/M operating system at the CCP level. The CCP re-initializes the disk subsystem by selecting and logging-in disk drive A. This function has exactly the same effect as a jump to location BOOT.

## **Function 1: Console Input**

### *Entry Parameters:*

Register C: 01H

### *Returned Value:*

Register A: ASCII Character

The console input function reads the next console character to register A. Graphic characters, along with carriage return, line feed, and backspace (ctl-H) are echoed to the console. Tab characters (ctl-I) are expanded in columns of eight characters. A check is made for start/stop scroll (ctl-S) and start/stop printer echo (ctl-P). The FDOS does not return to the calling program until a character has been typed, thus suspending execution of a character if not ready.

## **Function 2: Console Output**

### *Entry Parameters:*

Register C: 02H  
Register E: ASCII Character

The ASCII character from register E is sent to the console device. Similar to function 1, tabs are expanded and checks are made for start/stop scroll and printer echo.

## **Function 3: Reader Input**

### *Entry Parameters:*

Register C: 03H

### *Returned Value:*

Register A: ASCII Character

The Reader Input function reads the next character from the logical reader into register A. Control does not return until the character has been read.

### Function 4: Punch Output

#### Entry Parameters:

Register	C: 04H
Register	E: ASCII Character

The Punch Output function sends the character from register E to the logical punch device.

### Function 5: List Output

#### Entry Parameters:

Register	C: 05H
Register	E: ASCII Character

The List Output function sends the ASCII character in register E to the logical listing device.

### Function 6: Direct Console I/O

#### Entry Parameters:

Register	C: 06H
Register	E: 0FFH (input) or char (output)

#### Returned Value:

Register	A: char or status (no value)
----------	---------------------------------

Direct console I/O is supported under CP/M for those specialized applications where unadorned console input and output is required. Use of this function should, in general, be avoided since it bypasses all of CP/M's normal control character functions (e.g., control-S and control-P). Programs which perform direct I/O through the BIOS under previous releases of CP/M, however, should be changed to use direct I/O under BDOS so that they can be fully supported under future releases of MP/M and CP/M.

Upon entry to function 6, register E either contains hexadecimal FF, denoting a console input request, or register E contains an ASCII character. If the input value is FF, then function 6 returns A=00 if no character is ready, otherwise A contains the next console input character.

If the input value in E is not FF, then function 6 assumes that E contains a valid ASCII character which is sent to the console.

### Function 7: Get I/O Byte

#### Entry Parameters:

Register	C: 07H
----------	--------

#### Returned Value:

Register	A: I/O Byte Value
----------	-------------------

The Get I/O Byte function returns the current value of IOBYTE in register A.

### Function 8: Set I/O Byte

#### Entry Parameters:

Register	C: 08H
Register	E: I/O Byte Value

The Set I/O Byte function changes the system IOBYTE value to that given in register E.

### Function 9: Print String

#### Entry Parameters:

Register	C: 09H
Registers	DE: String Address

The Print String function sends the character string stored in memory at the location given by DE to the console device, until a "\$" is encountered in the string. Tabs are expanded as in function 2, and checks are made for start/stop scroll and printer echo.

## Function 10: Read Console Buffer

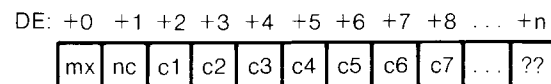
### Entry Parameters:

Register C: 0AH  
Registers DE: Buffer Address

### Returned Value:

Console Characters in Buffer

The Read Buffer function reads a line of edited console input into a buffer addressed by registers DE. Console input is terminated when either the input buffer overflows. The Read Buffer takes the form:



where "mx" is the maximum number of characters which the buffer will hold (1 to 255), "nc" is the number of characters read (set by FDOS upon return), followed by the characters read from the console. If  $nc < mx$ , then uninitialized positions follow the last character, denoted by "??" in the above figure. A number of control functions are recognized during line editing:

rub/del	removes and echoes the last character
ctl-C	reboots when at the beginning of line
ctl-E	causes physical end of line
ctl-H	backspaces one character position
ctl-J	(line feed) terminates input line
ctl-M	(return) terminates input line
ctl-R	retypes the current line after new line
ctl-X	backspaces to beginning of current line

Note also that certain functions which return the carriage to the leftmost position (e.g., ctl-X) do so only to the column position

where the prompt ended (in earlier releases, the carriage returned to the extreme left margin). This convention makes operator data input and line correction more legible.

## Function 11: Get Console Status

### Entry Parameters:

Register C: 0BH

### Return Value:

Register A: Console Status

The Console Status function checks to see if a character has been typed at the console. If a character is ready, the value 0FFH is returned in register A. Otherwise a 00H value is returned.

## Function 12: Return Version Number

### Entry Parameters:

Register C: 0CH

### Returned Value:

Registers HL: Version Number

Function 12 provides information which allows version independent programming. A two-byte value is returned, with H=00 designating the CP/M release (H=01 for MP/M), and L=00 for all releases previous to 2.0. CP/M 2.0 returns a hexadecimal 20 in register L, with subsequent version 2 releases in the hexadecimal range 21, 22, through 2F. Using function 12, for example, you can write application programs which provide both sequential and random access functions, with random access disabled when operating under early releases of CP/M.

### Function 13: Reset Disk System

#### Entry Parameters:

Register C: 0DH

The Reset Disk function is used to programmatically restore the file system to a reset state where all disks are set to read/write (see functions 28 and 29), only disk drive A is selected, and the default DMA address is reset to BOOT+0080H. This function can be used, for example, by an application program which requires a disk change without a system reboot.

### Function 14: Select Disk

#### Entry Parameters:

Register C: 0EH  
Register E: Selected Disk

The Select Disk function designates the disk drive named in register E as the default disk for subsequent file operations, with E=0 for drive A, 1 for drive B, and so-forth through 15 corresponding to drive P in a full sixteen drive system. The drive is placed in an "on-line" status which, in particular, activates its directory until the next cold start, warm start, or disk system reset operation. If the disk media is changed while it is on-line, the drive automatically goes to a read/only status in a standard CP/M environment (see function 28). FCB's which specify drive code zero (dr=00H) automatically reference the currently selected default drive. Drive code values between 1 and 16, however, ignore the selected default drive and directly reference drives A through P.

### Function 15: Open File

#### Entry Parameters:

Register C: 0FH  
Registers DE: FCB Address

#### Returned Value:

Register A: Directory Code

The Open File operation is used to activate a file which currently exists in the disk directory for the currently active user number. The FDOS scans the referenced disk directory for a match in positions 1 through 14 of the FCB referenced by DE (byte s1 is automatically zeroed), where an ASCII question mark (3FH) matches any directory character in any of these positions. Normally, no question marks are included and, further, bytes "ex" and "s2" of the FCB are zero.

If a directory element is matched, the relevant directory information is copied into bytes d0 through dn of the FCB, thus allowing access to the files through subsequent read and write operations. Note that an existing file must not be accessed until a successful open operation is completed. Upon return, the open function returns a "directory code" with the value 0 through 3 if the open was successful, or 0FFH (255 decimal) if the file cannot be found. If question marks occur in the FCB then the first matching FCB is activated. Note that the current record ("cr") must be zeroed by the program if the file is to be accessed sequentially from the first record.

## Function 16: Close File

### Entry Parameters:

Register C: 10H  
Registers DE: FCB Address

### Returned Value:

Register A: Directory Code

The Close File function performs the inverse of the open file function. Given that the FCB addressed by DE has been previously activated through an open or make function (see functions 15 and 22), the close function permanently records the new FCB in the referenced disk directory. The FCB matching process for the close is identical to the open function. The directory code returned for a successful close operation is 0, 1, 2, or 3, while a 0FFH (255 decimal) is returned if the file name cannot be found in the directory. A file need not be closed if only read operations have taken place. If write operations have occurred, however, the close operation is necessary to permanently record the new directory information.

## Function 17: Search for First

### Entry Parameters:

Register C: 11H  
Registers DE: FCB Address

### Returned Value:

Register A: Directory Code

Search for First scans the directory for a match with the file given by the FCB addressed by DE. The value 255 (hexadecimal FF) is returned if the file is not found, otherwise 0, 1, 2, or 3 is returned indicating the file is present. In the case that the file is found, the current DMA address is filled with the record containing the directory entry, and the relative starting position is A \*32 (i.e., rotate the A register left 5 bits, or ADD A five times). Although

not normally required for application programs, the directory information can be extracted from the buffer at this position.

An ASCII question mark (63 decimal, 3F hexadecimal) in any position from "f1" through "ex" matches the corresponding field of any directory entry on the default or auto-selected disk drive. If the "dr" field contains an ASCII question mark, then the auto disk selected function is disabled, the default disk is searched, with the search function returning any matched entry, allocated or free, belonging to any user number. This latter function is not normally used by application programs, but does allow complete flexibility to scan all current directory values. If the "dr" field is not a question mark, the "s2" byte is automatically zeroed.

## Function 18: Search for Next

### Entry Parameters:

Register C: 12H

### Returned Value:

Register A: Directory Code

The Search for Next function is similar to the Search for First function, except that the directory scan continues from the last matched entry. Similar to function 17, function 18 returns the decimal value 255 in A when no more directory items match.

## Function 19: Delete File

### Entry Parameters:

Register C: 13H  
Registers DE: FCB Address

### Returned Value:

Register A: Directory Code

The Delete File function removes files which match the FCB addresses by DE. The filename and type may contain ambiguous

references (i.e., question marks in various positions), but the drive select code cannot be ambiguous, as in the Search and Search for Next functions.

Function 19 returns a decimal 255 if the referenced file or files cannot be found, otherwise a value in the range 0 to 3 is returned.

## ***Function 20: Read Sequential***

### *Entry Parameters:*

Register C: 14H  
Registers DE: FCB Address

### *Returned Value:*

Register A: Directory Code

Given that the FCB addressed by DE has been activated through an open or make function (numbers 15 and 22), the Read Sequential function reads the next 128 byte record from the file into memory at the current DMA address. The record is read from position "cr" of the extent, and the "cr" field is automatically incremented to the next record position. If the "cr" field overflows then the next logical extent is automatically opened and the "cr" field is reset to zero in preparation for the next read operation. The value 00H is returned in the A register if the read operation was successful, while a non-zero value is returned if no data exists at the next record position (e.g., end of file occurs).

## ***Function 21: Write Sequential***

### *Entry Parameters:*

Register C: 15H  
Registers DE: FCB Address

### *Returned Value:*

Register A: Directory Code

Given that the FCB addressed by DE has been activated through an open or make function (numbers 15 and 22), the Write Sequential function writes the 128 byte data record at the current DMA address to the file named by the FCB. The record is placed at position "cr" of the file, and the "cr" field is automatically incremented to the next record position. If the "cr" field overflows then the next logical extent is automatically opened and the "cr" field is reset to zero in preparation for the next write operation. Write operations can take place into an existing file, in which case newly written records overlay those which already exist in the file. Register A=00H upon return from a successful write operation, while a non-zero value indicates an unsuccessful write due to a full disk.

## ***Function 22: Make File***

### *Entry Parameters:*

Register C: 16H  
Registers DE: FCB Address

### *Returned Value:*

Register A: Directory Code

The Make File operation is similar to the open file operation except that the FCB must name a file which does not exist in the currently referenced disk directory (i.e., the one named explicitly by a non-zero "dr" code, or the default disk if "dr" is zero). The FDOS creates the file and initializes both the directory and main memory value to an empty file. The programmer must ensure that no duplicate file names occur, and a preceding delete operation is sufficient if there is any possibility of duplication. Upon return, register A=0, 1, 2, or 3 if the operation was successful and 0FFH (255 decimal) if no more directory space is available. The make function has the side-effect of activating the FCB and thus a subsequent open is not necessary.

### Function 23: Rename File

#### Entry Parameters:

Register C: 17H  
Registers DE: FCB Address

#### Returned Value:

Register A: Directory Code

The Rename function uses the FCB addressed by DE to change all occurrences of the file named in the first 16 bytes to the file named in the second 16 bytes. The drive code "dr" at position 0 is used to select the drive, while the drive code for the new file name at position 16 of the FCB is assumed to be zero. Upon return, register A is set to a value between 0 and 3 if the rename was successful, and OFFH (255 decimal) if the first file name could not be found in the directory scan.

### Function 24: Return Login Vector

#### Entry Parameters:

Register C: 18H

#### Returned Value:

Registers HL: Login Vector

The login vector value returned by CP/M is a 16-bit value in HL, where the least significant bit of L corresponds to the first drive A, and the high order bit of H corresponds to the sixteenth drive, labelled P. A "0" bit indicates that the drive is not on-line, while a "1" bit marks a drive that is actively on-line due to an explicit disk drive selection, or an implicit drive select caused by a file operation which specified a non-zero "dr" field. Note that compatibility is maintained with earlier releases, since registers A and L contain the same values upon return.

### Function 25: Return Current Disk

#### Entry Parameters:

Register C: 19H

#### Returned Value:

Register A: Current Disk

Function 25 returns the currently selected default disk number in register A. The disk numbers range from 0 through 15 corresponding to drives A through P.

### Function 26: Set DMA Address

#### Entry Parameters:

Regular C: 1AH  
Registers DE: DMA Address

"DMA" is an acronym for Direct Memory Address, which is often used in connection with disk controllers which directly access the memory of the mainframe computer to transfer data to and from the disk subsystem. Although many computer systems use non-DMA access (i.e., the data is transferred through programmed I/O operations), the DMA address has, in CP/M, come to mean the address at which the 128 byte data record resides before a disk write and after a disk read. Upon cold start, warm start, or disk system reset, the DMA address is automatically set to BOOT+0080H. The Set DMA function, however, can be used to change this default value to address another area of memory where the data records reside. Thus, the DMA address becomes the value specified by DE until it is changed by a subsequent Set DMA function, cold start, warm start, or disk system reset.



**Function 27: Get ADDR (ALLOC)***Entry Parameters:*

Register C: 1BH

*Returned Value:*

Registers HL: ALLOC Address

An "allocation vector" is maintained in main memory for each on-line disk drive. Various system programs use the information provided by the allocation vector to determine the amount of remaining storage (see the STAT program). Function 27 returns the base address of the allocation vector for the currently selected disk drive. The allocation information may, however, be invalid if the selected disk has been marked read/only. Although this function is not normally used by application programs, additional details of the allocation vector are found in the "CP/M Alteration Guide."

**Function 28: Write Protect Disk***Entry Parameters:*

Register C: 1CH

The disk write protect function provides temporary write protection for the currently selected disk. Any attempt to write to the disk, before the next cold or warm start operation produces the message

Bdos Err on d: R/O

**Function 29: Get Read/Only Vector***Entry Parameters:*

Register C: 1DH

*Returned Value:*

Registers HL: R/O Vector Value

Function 29 returns a bit vector in register pair HL which indicates drives which have the temporary read/only bit set. Similar to function 24, the least significant bit corresponds to drive A, while the most significant bit corresponds to drive P. The R/O bit is set either by the explicit call to function 28, or by the automatic software mechanisms within CP/M which detect changed disks.

**Function 30: Set File Attributes***Entry Parameters:*Register C: 1EH  
Registers DE: FCB Address*Returned Value:*

Register A: Directory Code

The Set File Attributes function allows programmatic manipulation of permanent indicators attached to files. In particular, the R/O and System attributes (t1' and t2') can be set or reset. The DE pair addresses an unambiguous file name with the appropriate attributes set or reset. Function 30 searches for a match, and changes the matched directory entry to contain the selected indicators. Indicators f1' through f4' are not presently used, but may be useful for applications programs, since they are not involved in the matching process during file open and close operations. Indicators f5' through f8' and t3' are reserved for future system expansion.

**Function 31: Get ADDR (Disk PARMS)***Entry Parameters:*

Register	C: 1FH
----------	--------

*Returned Value:*

Registers	HL: DPB Address
-----------	-----------------

The address of the BIOS resident disk parameter block is returned in HL as a result of this function call. This address can be used for either of two purposes. First, the disk parameter values can be extracted for display and space computation purposes, or transient programs can dynamically change the values of current disk parameters when the disk environment changes, if required. Normally, application programs will not require this facility.

**Function 32: Set/Get User Code***Entry Parameters:*

Register	C: 20H
Register	E: OFFH (get) or User Code (set)

*Returned Value:*

Register	A: Current Code or (no value)
----------	----------------------------------

An application program can change or interrogate the currently active user number by calling function 32. If register E=OFFH, then the value of the current user number is returned in register A, where the value is in the range 0 to 31. If register E is not OFFH, then the current user number is changed to the value of E (modulo 32).

**Function 33: Read Random***Entry Parameters:*

Register	C: 21H
Registers	DE: FCB Address

*Returned Value:*

Register	A: Return Code
----------	----------------

The Read Random function is similar to the sequential file read operation of previous releases, except that the read operation takes place at a particular record number, selected by the 24-bit value constructed from the three byte field following the FCB (byte positions r0 at 33, r1 at 34, and r2 at 35). Note that the sequence of 24 bits is stored with least significant byte first (r0), middle byte next (r1), and high byte last (r2). CP/M does not reference byte r2, except in computing the size of a file (function 35). Byte r2 must be zero, however, since a non-zero value indicates overflow past the end of file.

Thus, the r0,r1 byte pair is treated as a double-byte, or "word" value, which contains the record to read. This value ranges from 0 to 65535, providing access to any particular record of the 8 megabyte file. In order to process a file using random access, the base extent (extent 0) must first be opened. Although the base extent may or may not contain any allocated data, this ensures that the file is properly recorded in the directory, and is visible in DIR requests. The selected record number is then stored into the random record field (r0,r1), and the BDOS is called to read the record. Upon return from the call, register A either contains an error code, as listed below, or the value 00 indicating the operation was successful. In the latter case, the current DMA address contains the randomly accessed record. Note that contrary to the sequential read operation, the record number is not advanced. Thus, subsequent random read operations continue to read the same record.

Upon each random read operation, the logical extent and current record values are automatically set. Thus, the file can be sequentially read or written, starting from the current randomly accessed position. Note, however, that in this case, the last randomly read record will be re-read as you switch from random mode to sequential read, and the last record will be re-written as you switch to a sequential write operation. You can, of course, simply advance the random record position following each random read or write to obtain the effect of a sequential I/O operation.

Error codes returned in Register A following a random read are listed below.

- 01 reading unwritten data
- 02 (not returning in random mode)
- 03 cannot close current extent
- 04 seek to unwritten extent
- 05 (not returned in read mode)
- 06 seek past physical end of disk

Error code 01 and 04 occur when a random read operation accesses a data block which has not been previously written, or an extent which has not been created, which are equivalent conditions. Error 3 does not normally occur under proper system operation, but can be cleared by simply re-reading, or re-opening extent zero as long as the disk is not physically write protected. Error code 06 occurs whenever byte r2 is non-zero under the current 2.0 release. Normally, non-zero return codes can be treated as missing data, with zero return codes indicating operation complete.

### **Function 34: Write Random**

*Entry Parameters:*

Register	C: 22H
Registers	DE: FCB Address

*Returned Value:*

Register	A: Return Code
----------	----------------

The Write Random operation is initiated similar to the Read Random call, except that data is written to the disk from the current DMA address. Further, if the disk extent or data block which is the target of the write has not yet been allocated, the allocation is performed before the write operation continues. As in the Read Random operation, the random record number is not changed as a result of the write. The logical extent number and current record positions of the file control block are set to correspond to the random record which is being written. Again, sequential read or write operations can commence following a random write, with the notation that the currently addressed record is either read or rewritten again as the sequential operation begins. You can also simply advance the random record position following each write to get the effect of a sequential write operation. Note that in particular, reading or writing the last record of an extent in random mode does not cause an automatic extent switch as it does in sequential mode.

The error codes returned by a random write are identical to the random read operation with the addition of error code 05, which indicates that a new extent cannot be created due to directory overflow.

## Function 35: Compute File Size

### Entry Parameters:

Register C: 23H  
Registers DE: FCB Address

### Returned Value:

Random Record Field Set

When computing the size of a file, the DE register pair addresses an FCB in random mode format (bytes r0, r1, and r2 are present). The FCB contains an unambiguous file name which is used in the directory scan. Upon return, the random record bytes contain the "virtual" file size which is, in effect, the record address of the record following the end of the file. If, following a call to function 35, the high record byte r2 is 01, then the file contains the maximum record count 65536. Otherwise, bytes r0 and r1 constitute a 16-bit value (r0 is the least significant byte, as before) which is the file size.

Data can be appended to the end of an existing file by simply calling function 35 to set the random record position to the end of file, then performing a sequence of random writes starting at the preset record address.

The virtual size of a file corresponds to the physical size when the file is written sequentially. If, instead, the file was created in random mode and "holes" exist in the allocation, then the file may in fact contain fewer records than the size indicates. If, for example, only the last record of an eight megabyte file is written in random mode (i.e., record number 65535), then the virtual size is 65536 records, although only one block of data is actually allocated.

## Function 36: Set Random Record

### Entry Parameters:

Register C: 24H  
Registers DE: FCB Address

### Returned Value:

Random Record Field Set

The Set Random Record function causes the BDOS to automatically produce the random record position from a file which has been read or written sequentially to a particular point. The function can be useful in two ways.

First, it is often necessary to initially read and scan a sequential file to extract the position of various "key" fields. As each key is encountered, function 36 is called to compute the random record position for the data corresponding to this key. If the data unit size is 128 bytes, the resulting record position is placed into a table with the key for later retrieval. After scanning the entire file and tabularizing the keys and their record numbers, you can move instantly to a particular keyed record by performing a random read using the corresponding random record number which was saved earlier. The scheme is easily generated when variable record lengths are involved since the program need only store the buffer-relative byte position along with the key and record number in order to find the exact starting position of the keyed data at a later time.

A second use of function 36 occurs when switching from a sequential read or write over to random read or write. A file is sequentially accessed to a particular point in the file, function 36 is called which sets the record number, and subsequent random read and write operations continue from the selected point in the file.

## Sample File-to-File Copy Program

The program shown below provides a relatively simple example of file operations. The program source file is created as COPY.ASM using the CP/M ED program and then assembled using ASM or MAC, resulting in a "HEX" file. The LOAD program is then used to produce a COPY.COM file which executes directly under the CCP. The program begins by setting the stack pointer to a local area, and then proceeds to move the second name from the default area at 006CH to a 33-byte file control block called DFCB. The DFCB is then prepared for file operations by clearing the current record field. At this point, the source and destination FCB's are ready for processing since the SFCB at 005CH is properly set-up by the CCP upon entry to the COPY program. That is, the first name is placed into the default FCB, with the proper fields zeroed, including the current record field at 007CH. The program continues by opening the source file, deleting any existing destination file, and then creating the destination file. If all this is successful, the program loops at the label COPY until each record has been read from the source file and placed into the destination file. Upon completion of the data transfer, the destination file is closed and the program returns to the CCP command level by jumping to BOOT.

```

SAMPLE FILE-TO-FILE COPY PROGRAM

AT THE CCP LEVEL, THE COMMAND

COPY A:X.Y B:U.V

COPIES THE FILE NAMED X.Y FROM DRIVE
A TO A FILE NAMED U.V ON DRIVE B.

0000 = BOOT EQU 0000H : SYSTEM REBOOT
0005 = BDOS EQU 0005H : BDOS ENTRY POINT
005C = FCB1 EQU 005CH : FIRST FILE NAME
005C = SFCB EQU FCB1 : SOURCE FCB
006C = FCB2 EQU 006CH : SECOND FILE NAME
0080 = DBUFF EQU 0080H : DEFAULT BUFFER
0100 = TPA EQU 0100H : BEGINNING OF TPA

0009 = PRINTF EQU 9 : PRINT BUFFER FUNC#
000F = OPENF EQU 15 : OPEN FILE FUNC#
0010 = CLOSEF EQU 16 : CLOSE FILE FUNC#
0013 = DELETEF EQU 19 : DELETE FILE FUNC#
0014 = READF EQU 20 : SEQUENTIAL READ
0015 = WRITEF EQU 21 : SEQUENTIAL WRITE
0016 = MAKEF EQU 22 : MAKE FILE FUNC#

0100 = ORG TPA : BEGINNING OF TPA
0100 311B02 LXI SP,STACK : LOCAL STACK

```

```

0103 0E10 : MOVE SECOND FILE NAME TO DFCB
0105 116C00 MVI C,16 : HALF AN FCB
0108 21DA01 LXI D,FCB2 : SOURCE OF MOVE
010B 1A MFCB: LDAX D : SOURCE FCB
010C 13 INX D : READY NEXT
010D 77 MOV M,A : DEST FCB
010E 23 INX H : READY NEXT
010F 0D DCR C : COUNT 16...0
0110 C20B01 JNZ MFCB : LOOP 16 TIMES

:
:
: NAME HAS BEEN MOVED, ZERO CR
0113 AF XRA A : A = 00H
0114 32FA01 STA DFCBCR : CURRENT REC = 0

:
: SOURCE AND DESTINATION FCB'S READY

0117 115C00 LXI D,SFCB : SOURCE FILE
011A CD6901 CALL OPEN : ERROR IF 255
011D 118701 LXI D,NOFILE : READY MESSAGE
0120 3C INR A : 255 BECOMES 0
0121 CC6101 CZ FINIS : DONE IF NO FILE

:
: SOURCE FILE OPEN, PREP DESTINATION
0124 11DA01 LXI D,DFCB : DESTINATION
0127 CD7301 CALL DELETE : REMOVE IF PRESENT

012A 11DA01 LXI D,DFCB : DESTINATION
012D CD8201 CALL MAKE : CREATE THE FILE
0130 119601 LXI D,NODIR : READY MESSAGE
0133 3C INR A : 255 BECOMES 0
0134 CC6101 CZ FINIS : DONE IF NO DIR SPACE

:
: SOURCE FILE OPEN, DEST FILE OPEN
: COPY UNTIL END OF FILE ON SOURCE

0137 115C00 COPY: LXI D,SFCB : SOURCE
013A CD7801 CALL READ : READ NEXT RECORD
013D B7 ORA A : END OF FILE?
013E C25101 JNZ EOFILE : SKIP WRITE IF SO

:
: NOT END OF FILE, WRITE THE RECORD
0141 11DA01 LXI D,DFCB : DESTINATION
0144 CD7D01 CALL WRITE : WRITE RECORD
0147 11A901 LXI D,SPACE : READY MESSAGE
014A B7 ORA A : 00 IF WRITE OK
014B C46101 CNZ FINIS : END IF SO
014E C33701 JMP COPY : LOOP UNTIL EOF

EOFILE: : END OF FILE, CLOSE DESTINATION
0151 11DA01 LXI D,DFCB : DESTINATION
0154 CD6E01 CALL CLOSE : 255 IF ERROR
0157 21BB01 LXI H,WRPROT : READY MESSAGE
015A 3C INR A : 255 BECOMES 00
015B CC6101 CZ FINIS : SHOULDN'T HAPPEN

:
: COPY OPERATION COMPLETE, END
015E 11CC01 LXI D,NORMAL : READY MESSAGE

FINIS: : WRITE MESSAGE GIVEN BY DE, REBOOT
0161 0E09 MVI C,PRINTF
0163 CD0500 CALL BDOS : WRITE MESSAGE
0166 C30000 JMP BOOT : REBOOT SYSTEM

:
: SYSTEM INTERFACE SUBROUTINES
: (ALL RETURN DIRECTLY FROM BDOS)

0169 0E0F OPEN: MVI C,OPENF

```

```

016B C30500      JMP     BDOS
:
016E 0E10      CLOSE: MVI     C,CLOSEF
0170 C30500      JMP     BDOS
:
0173 0E13      DELETE: MVI     C,DELETEF
0175 C30500      JMP     BDOS
:
0178 0E14      READ:  MVI     C,READF
017A C30500      JMP     BDOS
:
017D 0E15      WRITE: MVI     C,WRITEF
017F C30500      JMP     BDOS
:
0182 0E16      MAKE:  MVI     C,MAKEF
0184 C30500      JMP     BDOS
:
:
:      CONSOLE MESSAGES
0187 6E6F20FNFILE: DB     NO SOURCE FILE$
0196 6E6F209NODIR: DB     NO DIRECTORY SPACES
01A9 6F7574FSPACE: DB     OUT OF DATA SPACES
01BB 7772695WRPROT: DB     WRITE PROTECTED?$
01CC 636F700NORMAL: DB     COPY COMPLETES$
:
:      DATA AREAS
01DA      DFCB:  DS     33      : DESTINATION FCB
01FA =    DFCBCR EQU    DFCB+32 : CURRENT RECORD
:
01FB      DS     32      : 16 LEVEL STACK
:
021B      END

```

Note that there are several simplifications in this particular program. First, there are no checks for invalid file names which could, for example, contain ambiguous references. This situation could be detected by scanning the 32 byte default area starting at location 005CH for ASCII question marks. A check should also be made to ensure that the file names have, in fact, been included (check locations 005DH and 006DH for non-blank ASCII characters). Finally, a check should be made to ensure that the source and destination file names are different. A speed improvement could be made by buffering more data on each read operation. One could, for example, determine the size of memory by fetching FBASE from location 0006H and use the entire remaining portion of memory for a data buffer. In this case, the programmer simply resets the DMA address to the next successive 128 byte area before each read. Upon writing to the destination file, the DMA address is reset to the beginning of the buffer and incremented by 128 bytes to the end as each record is transferred to the destination file.

## Sample File Dump Utility

The file dump program shown below is slightly more complex than the single copy program given in the previous section. The dump program reads an input file, specified in the CCP command line, and displays the content of each record in hexadecimal format at the console. Note that the dump program saves the CCP's stack upon entry, resets the stack to a local area, and restores the CCP's stack before returning directly to the CCP. Thus, the dump program does not perform warm start at the end of processing.

```

:      DUMP PROGRAM READS INPUT FILE AND DISPLAYS HEX DATA
:
0100      ORG     100H
0005 =    BDOS   EQU    0005H  :DOS ENTRY POINT
0001 =    CONS   EQU     1      :READ CONSOLE
0002 =    TYPEF  EQU     2      :TYPE FUNCTION
0009 =    PRINTF EQU     9      :BUFFER PRINT ENTRY
000B =    BRKF   EQU    11      :BREAK KEY FUNCTION (TRUE IF CHAR)
000F =    OPENF  EQU    15      :FILE OPEN
0014 =    READF  EQU    20      :READ FUNCTION
:
005C =    FCB    EQU     5CH    :FILE CONTROL BLOCK ADDRESS
0080 =    BUFF   EQU    80H     :INPUT DISK BUFFER ADDRESS
:
:      NON GRAPHIC CHARACTERS
000D =    CR     EQU    0DH     :CARRIAGE RETURN
000A =    LF     EQU    0AH     :LINE FEED
:
:      FILE CONTROL BLOCK DEFINITIONS
005C =    FCBDN  EQU    FCB+0   :DISK NAME
005D =    FCBFN  EQU    FCB+1   :FILE NAME
0065 =    FCBFT  EQU    FCB+9   :DISK FILE TYPE (3 CHARACTERS)
0068 =    FCBRLL EQU    FCB+12  :FILE'S CURRENT REEL NUMBER
006B =    FCBRC  EQU    FCB+15  :FILE'S RECORD COUNT (0 TO 128)
007C =    FCBCR  EQU    FCB+32  :CURRENT (NEXT) RECORD NUMBER (0)
007D =    FCBLN  EQU    FCB+33  :FCB LENGTH
:
:      SET UP STACK
0100 210000  LXI     H,0
0103 39      DAD     SP
:
:      ENTRY STACK POINTER IN HL FROM THE CCP
0104 221502  SHLD   OLDSP
:
:      SET SP TO LOCAL STACK AREA (RESTORED AT FINIS)
0107 315702  LXI     SP,SPSTKTOP
:
:      READ AND PRINT SUCCESSIVE BUFFERS
010A CDC101  CALL   SETUP      :SET UP INPUT FILE
010D FEFF   CPI     255    :255 IF FILE NOT PRESENT
010F C21B01  JNZ    OPENOK     :SKIP IF OPEN IS OK
:
:      FILE NOT THERE, GIVE ERROR MESSAGE AND RETURN
0112 LLF301  LXI     D,OPNMSG
0115 CD9C01  CALL   ERR
0118 C35101  JMP    FINIS      :TO RETURN
:
OPENOK: :OPEN OPERATION OK, SET BUFFER INDEX TO END
011B 3E80   MVI     A,80H
011D 321302  STA    IBP        :SET BUFFER POINTER TO 80H
:
:      HL CONTAINS NEXT ADDRESS TO PRINT
0120 210000  LXI     H,0        :START WITH 0000

```

```

GLOOP:
0123 E5      PUSH   H           ;SAVE LINE POSITION
0124 CDA201  CALL   GNB
0127 E1      POP    H           ;RECALL LINE POSITION
0128 DA5101  JC     FINIS       ;CARRY SET BY GNB IF END FILE
012B 47      MOV    B,A
          PRINT HEX VALUES
          CHECK FOR LINE FOLD
          MOV    A,L
012C 7D      ANI    0FH        ;CHECK LOW 4 BITS
012D E60F    JNZ   NONUM
012F C24401  PRINT LINE NUMBER
          CALL   CRLF
0132 CD7201  CHECK FOR BREAK KEY
          CALL   BREAK
          ACCUM LSB = 1 IF CHARACTER READY
0138 0F      RRC    ;INTO CARRY
0139 DA5101  JC     FINIS       ;DON'T PRINT ANY MORE

013C 7C      MOV    A,H
013D CD8F01  CALL   PHEX
0140 7D      MOV    A,L
0141 CD8F01  CALL   PHEX

NONUM:
0144 23      INX    H           ;TO NEXT LINE NUMBER
0145 3E20    MVI    A,
0147 CD6501  CALL   PCHAR
014A 78      MOV    A,B
014B CD8F01  CALL   PHEX
014E C32301  JMP    GLOOP

FINIS:
          END OF DUMP. RETURN TO CCP
          (NOTE THAT A JMP TO 0000H REBOOTS)
0151 CD7201  CALL   CRLF
0154 2A1502  LHLD   OLDSP
0157 F9      SPHL
          STACK POINTER CONTAINS CCP'S STACK LOCATION
0158 C9      RET              ;TO THE CCP

SUBROUTINES

BREAK:
          ;CHECK BREAK KEY (ACTUALLY ANY KEY WILL DO)
          PUSH H! PUSH D! PUSH B: ENVIRONMENT SAVED
0159 E5D5C5  MVI    C,BRKF
015C 0E0B    CALL   BDOS
015E CD0500  POP   B! POP D! POP H: ENVIRONMENT RESTORED
0161 C1D1E1  RET

PCHAR:
          ;PRINT A CHARACTER
          PUSH H! PUSH D! PUSH B: SAVED
0165 E5D5C5  MVI    C,TYPEF
0168 0E02    MOV    E,A
016A 5F      CALL   BDOS
016B CD0500  POP   B! POP D! POP H: RESTORED
016E C1D1E1  RET

CRLF:
0172 3E0D    MVI    A,CR
0174 CD6501  CALL   PCHAR
0177 3E0A    MVI    A,LF
0179 CD6501  CALL   PCHAR
017C C9      RET

```

```

PNIB:
          ;PRINT NIBBLE IN REG A
017D E60F    ANI    0FH        ;LOW 4 BITS
017F FE0A    CPI    10
0181 D28901  JNC   P10
          ;
          ; LESS THAN OR EQUAL TO 9
0184 C630    ADI    0
0186 C38B01  JMP    PRN
          ;
          ;
          ; GREATER OR EQUAL TO 10
0189 C637    P10: ADI    A - 10
018B CD6501  PRN: CALL   PCHAR
018E C9      RET

PHEX:
          ;PRINT HEX CHAR IN REG A
018F F5      PUSH   PSW
0190 0F      RRC
0191 0F      RRC
0192 0F      RRC
0193 0F      RRC
0194 CD7D01  CALL   PNIB       ;PRINT NIBBLE
0197 F1      POP    PSW
0198 CD7D01  CALL   PNIB
019B C9      RET

ERR:
          ;PRINT ERROR MESSAGE
          ;D.E ADDRESSES MESSAGE ENDING WITH '$'
019C 0E09    MVI    C,PRINTF   ;PRINT BUFFER FUNCTION
019E CD0500  CALL   BDOS
01A1 C9      RET

GNB:
          ;GET NEXT BYTE
01A2 3A1302  LDA    IBP
01A5 FE80    CPI    80H
01A7 C2B301  JNZ   GO
          ;
          ; READ ANOTHER BUFFER

01AA CDCE01  CALL   DISKR
01AD B7      ORA    A           ;ZERO VALUE IF READ OK
01AE CAB301  JZ    GO           ;FOR ANOTHER BYTE
          ;
          ; END OF DATA. RETURN WITH CARRY SET FOR EOF
01B1 37      STC
01B2 C9      RET

GO:
          ;READ THE BYTE AT BUFF+REG A
01B3 5F      MOV    E,A           ;1S BYTE OF BUFFER INDEX
01B4 1600    MVI    D,0         ;DOUBLE PRECISION INDEX TO DE
01B6 3C      INR    A           ;INDEX=INDEX+1
01B7 321302  STA   IBP         ;BACK TO MEMORY
          ;
          ; POINTER IS INCREMENTED
          ;
          ; SAVE THE CURRENT FILE ADDRESS
01BA 218000  LXI    H,BUFF
01BD 19      DAD    D
          ;
          ; ABSOLUTE CHARACTER ADDRESS IS IN H1
01BE 7E      MOV    A,M
          ;
          ; BYTE IS IN THE ACCUMULATOR
01BF B7      ORA    A           ;RESET CARRY BIT
01C0 C9      RET

SETUP:
          ;SET UP FILE
          ; OPEN THE FILE FOR INPUT
01C1 AF      XRA    A           ;ZERO TO ACCUM
01C2 327C00  STA   FCBCR       ;CLEAR CURRENT RECORD
          ;
          ;
01C5 115C00  LXI    D,FCB
01C8 0E0F    MVI    C,OPENF

```

```

01CA CD0500      CALL   BDOS
                255 IN ACCUM IF OPEN ERROR
01CD C9          RET

                DISKR:  READ DISK FILE RECORD
01CE E5D5C5     PUSH H! PUSH D! PUSH B
01D1 115C00     LXI   D,FCB
01D4 0E14       MVI   C,READF
01D6 CD0500     CALL   BDOS
01D9 C1D1E1     POP B! POP D! POP H
01DC C9          RET

                FIXED MESSAGE AREA
01DD 46494C0SIGNON: DB   FILE DUMP VERSION 2.0$
01F3 0D0A4E0OPNMSG: DB   CR.LF.NO INPUT FILE PRESENT ON DISK$

                VARIABLE AREA
0213          IBP:   DS    2      ;INPUT BUFFER POINTER
0215          OLDSP: DS    2      ;ENTRY SP VALUE FROM CCP

                STACK AREA
0217          DS    64      ;RESERVE 32 LEVEL STACK
                STKTOP:

0257          END

```

## Sample Random Access Program

This manual is concluded with a rather extensive, but complete example of random access operation. The program listed below performs the simple function of reading or writing random records upon command from the terminal. Given that the program has been created, assembled, and placed into a file labelled RANDOM.COM, the CCP level command:

```
RANDOM X.DAT
```

starts the test program. The program looks for a file by the name X.DAT (in this particular case) and, if found, proceeds to prompt the console for input. If not found, the file is created before the prompt is given. Each prompt takes the form

```
next command?
```

and is followed by operator input, terminated by a carriage return. The input commands take the form

```
nW nR Q
```

where n is an integer value in the range 0 to 65535, and W, R, and Q are simple command characters corresponding to random

write, random read, and quit processing, respectively. If the W command is issued, the RANDOM program issues the prompt

```
type data:
```

The operator then responds by typing up to 127 characters, followed by a carriage return. RANDOM then writes the character string into the X.DAT file at record n. If the R command is issued, RANDOM reads record number n and displays the string value at the console. If the Q command is issued, the X.DAT file is closed, and the program returns to the console command processor. In the interest of brevity, the only error message is

```
error, try again
```

The program begins with an initialization section where the input file is opened or created, followed by a continuous loop at the label "ready" where the individual commands are interpreted. The default file control block at 005CH and the default buffer at 0080H are used in all disk operations. The utility subroutines then follow, which contain the principal input line processor, called "readc." This particular program shows the elements of random access processing, and can be used as the basis for further program development.

```

*****
*
* SAMPLE RANDOM ACCESS PROGRAM FOR CP/M 2.0
*
*****
0100          ORG    100H      ;BASE OF TPA
:
0000 =        REBOOT EQU    0000H ;SYSTEM REBOOT
0005 =        BDOS  EQU    0005H ;BDOS ENTRY POINT
:
0001 =        CONINP EQU    1      ;CONSOLE INPUT FUNCTION
0002 =        CONOUT EQU    2      ;CONSOLE OUTPUT FUNCTION
0009 =        PSTRING EQU    9      ;PRINT STRING UNTIL '$'
000A =        RSTRING EQU    10     ;READ CONSOLE BUFFER
000C =        VERSION EQU    12     ;RETURN VERSION NUMBER
000F =        OPENF  EQU    15     ;FILE OPEN FUNCTION
0010 =        CLOSEF EQU    16     ;CLOSE FUNCTION
0016 =        MAKEF  EQU    22     ;MAKE FILE FUNCTION
0021 =        READR  EQU    33     ;READ RANDOM
0022 =        WRITER EQU    34     ;WRITE RANDOM
:
005C =        FCB    EQU    005CH  ;DEFAULT FILE CONTROL BLOCK

```





```

01A6 CA370      JZ     READY    ; FOR ANOTHER COMMAND IF 00
01A9 C5        PUSH    B        ; SAVE COUNTER
01AA E5        PUSH    H        ; SAVE NEXT TO GET
01AB FE20      CPI     ' '      ; GRAPHIC?
01AD D4C80     GNC     PUTCHR   ; SKIP OUTPUT IF NOT
01B0 E1        POP     H
01B1 C1        POP     B
01B2 0D        DCR     C        ; COUNT=COUNT-1
01B3 C2A20     JNZ     WLOOP
01B6 C3370     JMP     READY

```

```

*****
* END OF READ COMMAND, ALL ERRORS END-UP HERE *
*****

```

```

ERROR:
01B9 11590     LXI     D,ERRMSG
01BC CDDA0     CALL    PRINT
01BF C3370     JMP     READY

```

```

*****
* UTILITY SUBROUTINES FOR CONSOLE I/O *
*****

```

```

GETCHR:
; READ NEXT CONSOLE CHARACTER TO A
01C2 0E01     MVI     C,CONINP
01C4 CD050     CALL    BDOS
01C7 C9        RET

```

```

PUTCHR:
; WRITE CHARACTER FROM A TO CONSOLE
01C8 0E02     MVI     C,CONOUT
01CA 5F        MOV     E,A    ; CHARACTER TO SEND
01CB CD050     CALL    BDOS   ; SEND CHARACTER
01CE C9        RET

```

```

CRLF:
; SEND CARRIAGE RETURN LINE FEED
01CF 3E0D     MVI     A,CR    ; CARRIAGE RETURN
01D1 CDC80     CALL    PUTCHR
01D4 3E0A     MVI     A,LF    ; LINE FEED
01D6 CDC80     CALL    PUTCHR
01D9 C9        RET

```

```

PRINT:
; PRINT THE BUFFER ADDRESSED BY DE UNTIL $
01DA D5        PUSH    D
01DB CDCF0     CALL    CRLF
01DE D1        POP     D    ; NEW LINE
01DF 0E09     MVI     C,PSTRING
01E1 CD050     CALL    BDOS   ; PRINT THE STRING
01E4 C9        RET

```

```

READCOM:
; READ THE NEXT COMMAND LINE TO THE CONBUF
01E5 116B0     LXI     D,PROMPT
01E8 CDDA0     CALL    PRINT  ; COMMAND?
01EB 0E0A     MVI     C,RSTRING
01ED 117A0     LXI     D,CONBUF
01F0 CD050     CALL    BDOS   ; READ COMMAND LINE
; COMMAND LINE IS PRESENT, SCAN IT
01F3 21000     LXI     H,0    ; START WITH 0000
01F6 117C0     LXI     D,CONLIN ; COMMAND LINE

```

```

01F9 1A        READC: LDAX   D    ; NEXT COMMAND CHARACTER
01FA 13        INX    D    ; TO NEXT COMMAND POSITION
01FB B7        ORA    A    ; CANNOT BE END OF COMMAND
01FC C8        RZ

```

```

; NOT ZERO, NUMERIC?
01FD D630     SUI    '0'
01FF FE0A     CPI    10    ; CARRY IF NUMERIC
0201 D2130     JNC    ENDRD
; ADD-IN NEXT DIGIT
0204 29        DAD    H    ; *2
0205 4D        MOV    C,1
0206 44        MOV    B,H    ; BC = VALUE * 2
0207 29        DAD    H    ; *4
0208 29        DAD    H    ; *8
0209 09        DAD    B    ; *2 + *8 = *10
020A 85        ADD    1    ; +DIGIT
020B 6F        MOV    1,A
020C D2F90     JNC    READC   ; FOR ANOTHER CHAR
020F 24        INR    H    ; OVERFLOW
0210 C3F90     JMP    READC   ; FOR ANOTHER CHAR

```

```

ENDRD:
; END OF READ, RESTORE VALUE IN A
0213 C630     ADI    '0'    ; COMMAND
0215 FE61     CPI    'A'    ; TRANSLATE CASE?
0217 D8        RC
; LOWER CASE, MASK LOWER CASE BITS
0218 E65F     ANI    101$1111B
021A C9        RET

```

```

*****
* STRING DATA AREA FOR CONSOLE MESSAGE *
*****

```

```

BADVER:
021B 536F79   DB     'SORRY, YOU NEED CP/M VERSION 2$'
NOSPACE:
023A 4E6F29   DB     'NO DIRECTORY SPACES$'
DATMSG:
024D 547970   DB     'TYPE DATA: $'
ERRMSG:
0259 457272   DB     'ERROR, TRY AGAIN.$'
PROMPT:
026B 4E6570   DB     'NEXT COMMAND? $'

```

```

*****
* FIXED AND VARIABLE DATA AREA *
*****

```

```

027A 21        CONBUF: DB     CONLEN ; LENGTH OF CONSOLE BUFFER
027B          CONSIZE: DS     1    ; RESULTING SIZE AFTER READ
027C          CONLIN:  DS     32   ; LENGTH 32 BUFFER
0021 =          CONLEN: EQU    $-CONSIZE
;
029C          STACK:  DS     32   ; 16 LEVEL STACK
02BC          END

```

Again, major improvements could be made to this particular program to enhance its operation. In fact, with some work, this program could evolve into a simple data base management system. One could, for example, assume a standard record size of 128 bytes, consisting of arbitrary fields within the record. A program, called GETKEY, could be developed which first reads a sequential file and extracts a specific field defined by the operator. For example, the command

```
GETKEY NAMES.DAT LASTNAME 10 20
```

would cause GETKEY to read the data base file NAMES.DAT and extract the "LASTNAME" field from each record, starting at position 10 and ending at character 20. GETKEY builds a table in memory consisting of each particular LASTNAME field, along with its 16-bit record number location within the file. The GETKEY program then sorts this list, and writes a new file, called LASTNAME.KEY, which is an alphabetical list of LASTNAME fields with their corresponding record numbers. (This list is called an "inverted index" in information retrieval parlance.)

Rename the program shown above as QUERY, and massage it a bit so that it reads a sorted key file into memory. The command line might appear as:

```
QUERY NAMES.DAT LASTNAME.KEY
```

Instead of reading a number, the QUERY program reads an alphanumeric string which is a particular key to find in the NAMES.DAT data base. Since the LASTNAME.KEY list is sorted, you can find a particular entry quite rapidly by performing a "binary search," similar to looking up a name in the telephone book. That is, starting at both ends of the list, you examine the entry halfway in between and, if not matched, split either the upper half or the lower half for the next search. You'll quickly reach the item you're looking for (in  $\log_2(n)$  steps) where you'll find the corresponding record number. Fetch and display this record at the console, just as we have done in the program shown above.

At this point you're just getting started. With a little more work, you can allow a fixed grouping size which differs from the 128 byte

record shown above. This is accomplished by keeping track of the record number as well as the byte offset within the record. Knowing the group size, you randomly access the record containing the proper group, offset to the beginning of the group within the record read sequentially until the group size has been exhausted.

Finally, you can improve QUERY considerably by allowing boolean expressions which compute the set of records which satisfy several relationships, such as a LASTNAME between HARDY and LAUREL, and an AGE less than 45. Display all the records which fit this description. Finally, if your lists are getting too big to fit into memory, randomly access your key files from the disk as well. One note of consolation after all this work: if you make it through the project, you'll have no more need for this manual!

## System Function Summary

Func	Function Name	Input Parameters	Output Results
0	System Reset	none	none
1	Console Input	none	A=char
2	Console Output	E=char	none
3	Reader Input	none	A=char
4	Punch Output	E=char	none
5	List Output	E=char	none
6	Direct Console I/O	see def	see def
7	Get I/O Byte	none	A=IOBYTE
8	Set I/O Byte	E=IOBYTE	none
9	Print String	DE=.Buffer	none
10	Read Console Buffer	DE=.Buffer	see def
11	Get Console Status	none	A=00/FF
12	Return Version Number	none	HL=Version*
13	Reset Disk System	none	see def
14	Select Disk	E=Disk Number	see def
15	Open File	DE=.FCB	A=Dir Code
16	Close File	DE=.FCB	A=Dir Code
17	Search for First	DE=.FCB	A=Dir Code
18	Search for Next	none	A=Dir Code
19	Delete File	DE=.FCB	A=Dir Code
20	Read Sequential	DE=.FCB	A=Err Code
21	Write Sequential	DE=.FCB	A=Err Code
22	Make File	DE=.FCB	A=Dir Code
23	Rename File	DE=.FCB	A=Dir Code
24	Return Login Vector	none	HL=Login Vect*
25	Return Current Disk	none	A=Cur Disk#
26	Set DMA Address	DE=.DMA	none
27	Get Addr(Alloc)	none	HL=.Alloc
28	Write Protect Disk	none	see def
29	Get R/O Vector	none	HL=R/O Vect*
30	Set File Attributes	DE=.FCB	see def
31	Get Addr (disk parms)	none	HL=.DPB
32	Set/Get User Code	see def	see def
33	Read Random	DE=.FCB	A=Err Code
34	Write Random	DE=.FCB	A=Err Code
35	Compute File Size	DE=.FCB	r0, r1, r2
36	Set Random Record	DE=.FCB	r0, r1, r2

\*Note the A=L, and B=H upon return

## CP/M Editor

94	Introduction to ED
95	ED Operation
95	Text Transfer Functions
99	Memory Buffer Organization
100	Memory Buffer Operation
102	Command Strings
103	Text Search and Alteration
107	Source Libraries
107	Repetitive Command Execution
108	ED Error Conditions
109	Summary of Control Characters
110	Summary of ED Commands
111	ED Text Editing Commands

# 3

## CP/M Editor

### Introduction to ED

ED is the context editor for CP/M, and is used to create and alter CP/M source files. ED is initiated in CP/M by typing

$$\text{ED } \left\{ \begin{array}{l} \langle \text{filename} \rangle \\ \langle \text{filename} \rangle . \langle \text{filetype} \rangle \end{array} \right\}$$

In general, ED reads segments of the source file given by `<filename>` or `<filename> . <filetype>` into central memory, where the file is manipulated by the operator, and subsequently written back to disk after alterations. If the source file does not exist before editing, it is created by ED and initialized to empty. The overall operation of ED is shown in Figure 1.

### ED Operation

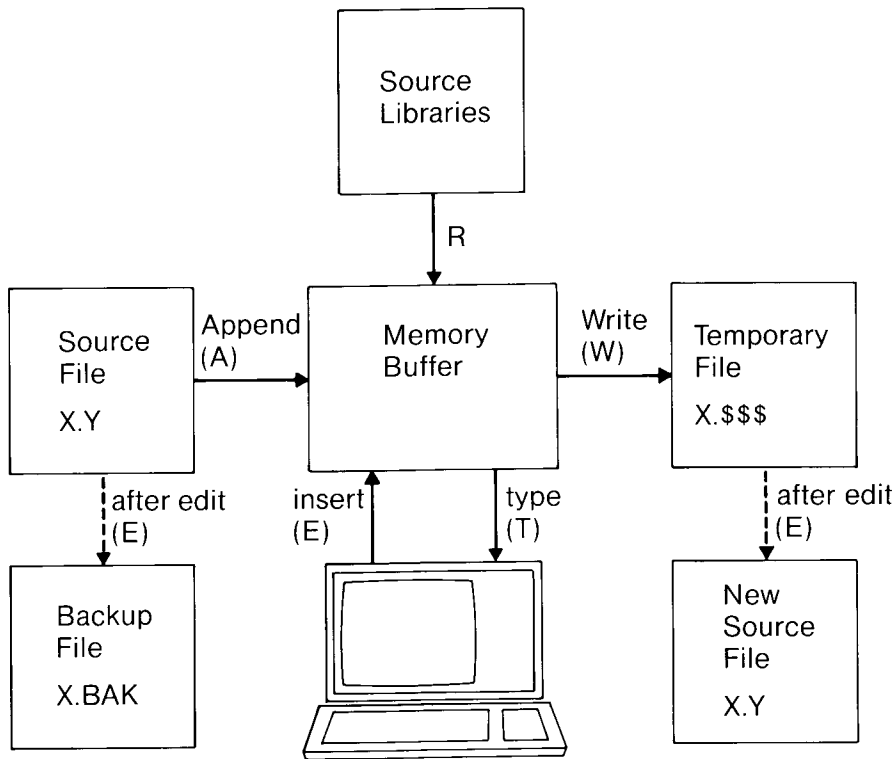
ED operates upon the source file, denoted in Figure 1 by `x.y`, and passes all text through a memory buffer where the text can be viewed or altered (the number of lines which can be maintained in the memory buffer varies with the line length, but has a total capacity of about 6000 characters in a 16K CP/M system). Text material which has been edited is written onto a temporary work file under command of the operator. Upon termination of the edit, the memory buffer is written to the temporary file, followed by any remaining (unread) text in the source file. The name of the original file is changed from `x.y` to `x.BAK` so that the most recent previously edited source file can be reclaimed if necessary (see the CP/M commands ERASE and RENAME). The temporary file is changed from `x.***` to `x.y` which becomes the resulting edited file.

The memory buffer is logically between the source file and working file as shown in Figure 2.

### Text Transfer Functions

Given that `n` is an integer value in the range 0 through 65535, the following ED commands transfer lines of text from the source file through the memory buffer to the temporary (and eventually final) file:

Figure 1. Overall ED Operation



**Note**

The ED program accepts both lower and upper case ASCII characters as input from the console. Single letter commands can be typed in either case. The U command can be issued to cause ED to translate lower case alphabets to upper case as characters are filled to the memory buffer from the console. Characters are echoed as typed without translation, however. The -U command causes ED to revert to "no translation" mode. ED starts with an assumed -U in effect.

Figure 2. Memory Buffer Organization

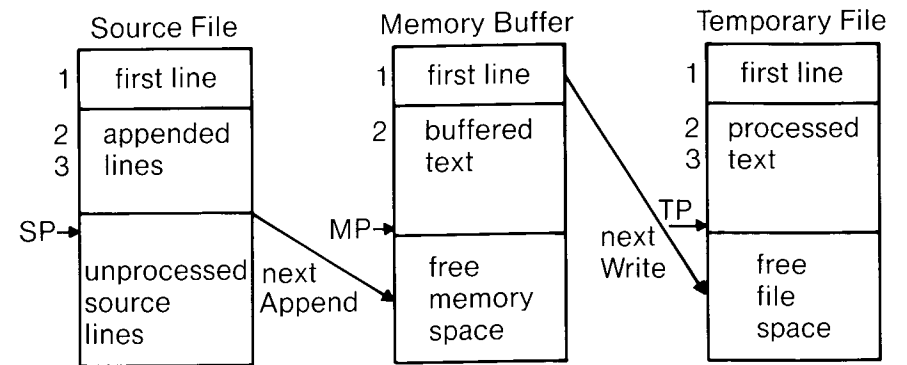
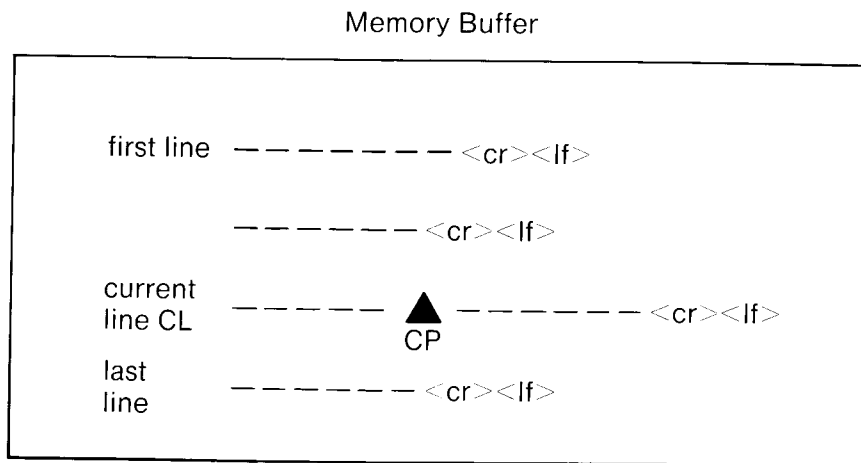


Figure 3. Logical Organization of Memory Buffer



- nA<cr>\*** Append the next *n* unprocessed source lines from the source file at SP to the end of the memory buffer at MP. Increment SP and MP by *n*.
- nW<cr>** Write the first *n* lines of the memory buffer to the temporary file free space. Shift the remaining lines *n* + 1 through MP to the top of the memory buffer. Increment TP by *n*.
- E<cr>** End the edit. Copy all buffered text to temporary file, and copy all unprocessed source lines to the temporary file. Rename files as described previously.
- H<cr>** Move to head of new file by performing automatic E command. Temporary file becomes the new source file, the memory buffer is emptied, and a new temporary file is created (equivalent to issuing an E command, followed by a reinvocation of ED using *x.y* as the file to edit).

- O<cr>** Return to original file. The memory buffer is emptied, the temporary file is deleted, and the SP is returned to position 1 of the source file. The effects of the previous editing commands are thus nullified.
- Q<cr>** Quit edit with no file alterations, return to CP/M.

There are a number of special cases to consider. If the integer *n* is omitted in any ED command where an integer is allowed, then 1 is assumed. Thus, the commands A and W append one line and write 1 line, respectively. In addition, if a pound sign (#) is given in the place of *n*, then the integer 65535 is assumed (the largest value for *n* which is allowed). Since most reasonably sized source files can be contained entirely in the memory buffer, the command #A is often issued at the beginning of the edit to read the entire source file to memory. Similarly, the command #W writes the entire buffer to the temporary file. Two special forms of the A and W commands are provided as a convenience. The command OA fills the current memory buffer to at least half-full, while OW writes lines until the buffer is at least half empty. It should also be noted that an error is issued if the memory buffer size is exceeded. The operator may then enter any command (such as W) which does not increase memory requirements. The remainder of any partial line read during the overflow will be brought into memory on the next successful append.

## ***Memory Buffer Organization***

The memory buffer can be considered a sequence of source lines brought in with the A command from a source file. The memory buffer has an associated (imaginary) character pointer (CP) which moves throughout the memory buffer under command of the operator. The memory buffer appears logically as shown in Figure 3 where the dashes represent characters of the source line of indefinite length, terminated by carriage return (<cr>) and line feed (<lf>) characters, and  $\blacktriangle$  represents the imaginary character pointer. Note that the CP is always located ahead of the first character of the first line, behind the last character of the last

\*<cr> represents the carriage-return key

line, or between two characters. The current line CL is the source line which contains the CP.

## Memory Buffer Operation

Upon initiation of ED, the memory buffer is empty (i.e., CP is both ahead and behind the first and last character). The operator may either append lines (A command) from the source file, or enter the lines directly from the console with the insert command

```
I<cr>
```

ED then accepts any number of input lines, where each line terminates with a <cr> (the <lf> is supplied automatically), until a control-z (denoted by ↑z) is typed by the operator. The CP is positioned after the last character entered. The sequence

```
I<cr>
NOW IS THE<cr>
TIME FOR<cr>
ALL GOOD MEN<cr>
↑z
```

leaves the memory buffer as shown below

```
NOW IS THE<cr><lf>
TIME FOR<cr><lf>
ALL GOOD MEN<cr><lf>cp
```

Various commands can then be issued which manipulate the CP or display source text in the vicinity of the CP. The commands shown below with a preceding n indicate that an optional unsigned value can be specified. When preceded by ±, the command can be unsigned, or have an optional preceding plus or minus sign. As before, the pound sign (#) is replaced by 65535. If an integer n is optional, but not supplied, then n=1 is assumed. Finally, if a plus sign is optional, but none is specified, then + is assumed.

- ± B <cr>      move CP to beginning of memory buffer if +, and to bottom if -.
- ± nC<cr>      move CP by ± n characters (toward front of buffer if +), counting the <cr> <lf> as two distinct characters.
- ± nD<cr>      delete n characters ahead of CP if plus and behind CP if minus.
- ± nK<cr>      kill (i.e., remove) ± n lines of source text using CP as the current reference. If CP is not at the beginning of the current line when K is issued, then the characters before CP remain if + is specified, while the characters after CP remain if - is given in the command.
- ± nL<cr>      if n = 0, move CP to the beginning of the current line (if it is not already there). If n≠0, first move the CP to the beginning of the current line, and then move it to the beginning of the line which is n lines down (if +) or up (if -). The CP will stop at the top or bottom of the memory buffer if too large a value is specified.
- ± nT<cr>      If n = 0 then type the contents of the current line up to CP. If n = 1 then type the contents of the current line from CP to the end of the line. If n>1 then type the current line along with n-1 lines which follow, if + is specified. Similarly, if n>1 and - is given, type the previous n lines, up to the CP. The Break key can be depressed to abort long type-outs.
- ± n<cr>      equivalent to ± nLT, which moves up or down and types a single line.



## Command Strings

Any number of commands can be typed contiguously (up to the capacity of the CP/M console buffer), and are executed only after the <cr> is typed. Thus, the operator may use the CP/M console command functions to manipulate the input command.

Rubout	remove the last character
Control-X	delete the entire line
Control-C	re-initialize the CP/M System
Control-E	return carriage for long lines without transmitting buffer (max 128 chars)

Suppose the memory buffer contains the characters shown in the previous section, with the CP following the last character of the buffer. The command strings shown below produce the results shown to the right.

Command String	Effect	Resulting Memory Buffer
B2T<cr>	move to beginning of buffer and type 2 lines: "NOW IS THE TIME FOR"	<sup>▲</sup> <sub>cp</sub> NOW IS THE<cr><lf> TIME FOR<cr><lf> ALL GOOD MEN<cr><lf>
5C0T<cr>	move CP 5 characters and type the beginning of the line "NOW I"	NOW I <sup>▲</sup> <sub>cp</sub> S THE<cr><lf>
2L-T<cr>	move two lines down and type previous line "TIME FOR"	NOW IS THE<cr><lf> TIME FOR<cr><lf> <sup>▲</sup> <sub>cp</sub> ALL GOOD MEN<cr><lf>
-L#K<cr>	move up one line, delete 65535 lines which follow	NOW IS THE<cr><lf> <sup>▲</sup> <sub>cp</sub>

Command String	Effect	Resulting Memory Buffer
I<cr> TIME TO<cr> INSERT<cr> ↑z	insert two lines of text	NOW IS THE<cr><lf> TIME TO<cr><lf> INSERT<cr><lf> <sup>▲</sup> <sub>cp</sub>
-2L#T<cr>	move up two lines, and type 65535 lines ahead of CP "NOW IS THE"	NOW IS THE<cr><lf> <sup>▲</sup> <sub>cp</sub> TIME TO<cr><lf> INSERT<cr><lf>
<cr>	move down one line and type one line "INSERT"	NOW IS THE<cr><lf> TIME TO<cr><lf> <sup>▲</sup> <sub>cp</sub> INSERT<cr><lf>

## Text Search and Alteration

ED also has a command which locates strings within the memory buffer. The command takes the form

$$nF c_1 c_2 \dots c_k \left\{ \begin{array}{c} \langle cr \rangle \\ \uparrow z \end{array} \right\}$$

where  $c_1$  through  $c_k$  represent the characters to match followed by either a <cr> or control-z.\* ED starts at the current position of CP and attempts to match all  $k$  characters. The match is attempted  $n$  times, and if successful, the CP is moved directly after the character  $c_k$ . If the  $n$  matches are not successful, the CP is not moved from its initial position. Search strings can include ↑I (control-I), which is replaced by the pair of symbols <cr><lf>.

\*The control-z is used if additional commands will be typed following the ↑z.

The following commands illustrate the use of the F command:

Command String	Effect	Resulting Memory Buffer
B#T<cr>	move to beginning and type entire buffer	<sup>cp</sup> NOW IS THE<cr><lf> TIME FOR<cr><lf> ALL GOOD MEN<cr><lf>
FS T<cr>	find the end of the string "S T"	NOW IS T <sup>cp</sup> HE<cr><lf>
FI↑z0TT	find the next "I" and type to the CP then type the remainder of the current line: "TIME FOR"	NOW IS THE<cr><lf> T <sup>cp</sup> IME FOR<cr><lf> ALL GOOD MEN<cr><lf>

An abbreviated form of the insert command is also allowed, which is often used in conjunction with the F command to make simple textural changes. The form is:

$$I c_1 c_2 \dots c_n \uparrow z \quad \text{or}$$

$$I c_1 c_2 \dots c_n \langle cr \rangle$$

where  $c_1$  through  $c_n$  are characters to insert. If the insertion string is terminated by a  $\uparrow z$ , the characters  $c_1$  through  $c_n$  are inserted directly following the CP, and the CP is moved directly after character  $c_n$ . The action is the same if the command is followed by a  $\langle cr \rangle$  except that a  $\langle cr \rangle \langle lf \rangle$  is automatically inserted into the text following character  $c_n$ . Consider the following command sequences as examples of the F and I commands:

Command String	Effect	Resulting Memory Buffer
BITHIS IS $\uparrow z \langle cr \rangle$	Insert "THIS IS" at the beginning of the text	THIS IS <sup>cp</sup> NOWTHE<cr><lf> TIME FOR<cr><lf> ALL GOOD MEN<cr><lf>
FTIME $\uparrow z - 4$ DIPLACE $\uparrow z \langle cr \rangle$	find "TIME" and delete it; then insert "PLACE"	THIS IS NOW THE<cr><lf> PLACE <sup>cp</sup> FOR<cr><lf> ALL GOOD MEN<cr><lf>
3FO $\uparrow z - 3$ D5DICHANGES $\uparrow \langle cr \rangle$	find third occurrence of "O" (i.e., the second "O" in GOOD), delete previous 3 characters; then insert "CHANGES"	THIS IS NOW THE<cr><lf> PLACE FOR<cr><lf> ALL CHANGES <sup>cp</sup> <cr><lf>
-8CISOURCE<cr>	move back 8 characters and insert the line "SOURCE<cr><lf>"	THIS IS NOW THE<cr><lf> PLACE FOR<cr><lf> ALL SOURCE<cr><lf> <sup>cp</sup> CHANGES<cr><lf>

ED also provides a single command which combines the F and I commands to perform simple string substitutions. The command takes the form

$$n S c_1 c_2 \dots c_k \uparrow z d_1 d_2 \dots d_m \left. \begin{array}{l} \langle cr \rangle \\ \uparrow z \end{array} \right\}$$

and has exactly the same effect as applying the command string

$$F c_1 c_2 \dots c_k \uparrow z - k D I d_1 d_2 \dots d_m \left. \begin{array}{l} \langle cr \rangle \\ \uparrow z \end{array} \right\}$$

a total of  $n$  times. That is, ED searches the memory buffer starting at the current position of CP and successively substitutes the second string for the first string until the end of buffer, or until the substitution has been performed  $n$  times.

As a convenience, a command similar to F is provided by ED which automatically appends and writes lines as the search proceeds. The form is

$$n N c_1 c_2 \dots c_k \left\{ \begin{array}{l} \langle cr \rangle \\ \uparrow z \end{array} \right\}$$

which searches the entire source file for the  $n$ th occurrence of the string  $c_1 c_2 \dots c_k$  (recall that F fails if the string cannot be found in the current buffer). The operation of the N command is precisely the same as F except in the case that the string cannot be found within the current memory buffer. In this case, the entire memory contents is written (i.e., an automatic #W is issued). Input lines are then read until the buffer is at least half full, or the entire source file is exhausted. The search continues in this manner until the string has been found  $n$  times, or until the source file has been completely transferred to the temporary file.

A final line editing function, called the juxtaposition command takes the form

$$n J c_1 c_2 \dots c_k \uparrow z d_1 d_2 \dots d_m \uparrow z e_1 e_2 \dots e_q \left\{ \begin{array}{l} \langle cr \rangle \\ \uparrow z \end{array} \right\}$$

with the following action applied  $n$  times to the memory buffer: search from the current CP for the next occurrence of the string  $c_1 c_2 \dots c_k$ . If found, insert the string  $d_1 d_2 \dots d_m$ , and move CP to follow  $d_m$ . Then delete all characters following CP up to (but not including) the string  $e_1 e_2 \dots e_q$ , leaving CP directly after  $d_m$ . If  $e_1 e_2 \dots e_q$  cannot be found, then no deletion is made. If the current line is

```
␣NOW IS THE TIME<cr><lf>
```

Then the command

```
JW ↑zWHAT↑z↑1<cr>
```

results in

```
NOW WHAT ␣<cr><lf>
```

(Recall that ↑1 represents the pair <cr> <lf> in search and substitution strings.)

It should be noted that the number of characters allowed by ED in the F,S,N, and J commands is limited to 100 symbols.

## Source Libraries

ED also allows the inclusion of source libraries during the editing process with the R command. The form of this command is

$$R f_1 f_2 \dots f_n \uparrow z \quad \text{or} \\ R f_1 f_2 \dots f_n \langle cr \rangle$$

where  $f_1 f_2 \dots f_n$  is the name of a source file on the disk with an assumed filetype of 'LIB'. ED reads the specified file, and places the characters into the memory buffer after CP, in a manner similar to the I command. Thus, if the command

```
RMACRO<cr>
```

is issued by the operator, ED reads from the file MACRO.LIB until the end-of-file, and automatically inserts the characters into the memory buffer.

## Repetitive Command Execution

The macro command M allows the ED user to group ED commands together for repeated evaluation. The M command takes the form:

$$n M c_1 c_2 \dots c_k \left\{ \begin{array}{l} \langle cr \rangle \\ \uparrow z \end{array} \right\}$$

where  $c_1 c_2 \dots c_k$  represent a string of ED commands, not including another M command. ED executes the command string  $n$  times if  $n > 1$ . If  $n = 0$  or 1, the command string is executed repetitively until an error condition is encountered (e.g., the end of the memory buffer is reached with an F command).

As an example, the following macro changes all occurrences of GAMMA to DELTA within the current buffer, and types each line which is changed:

```
MFGAMMA↑z—5DIDELTA↑z0TT<cr>
```

or equivalently

```
MSGAMMA↑zDELTA↑z0TT<cr>
```

## ***ED Error Conditions***

---

On error conditions, ED prints the last character read before the error, along with an error indicator:

?	unrecognized command
>	memory buffer full (use one of the commands D, K, N, S, or W to remove characters), F, N, or S strings too long.
#	cannot apply command the number of times specified (e.g., in F command)
O	cannot open LIB file in R command

Cyclic redundancy check (CRC) information is written with each output record under CP/M in order to detect errors on subsequent read operations. If a CRC error is detected, CP/M will type

```
PERM ERR DISK d
```

where d is the currently selected drive (A, B, . . .). The operator can choose to ignore the error by typing any character at the console (in this case, the memory buffer data should be examined to see if it was incorrectly read), or the user can reset the system and reclaim the backup file, if it exists. The file can be reclaimed by first typing the contents of the BAK file to ensure that it contains the proper information.

```
TYPE x.BAK<cr>
```

where x is the file being edited. Then remove the primary file:

```
ERA x.y<cr>
```

and rename the BAK file:

```
REN x.y=x.BAK<cr>
```

The file can then be re-edited, starting with the previous system.

## ***Summary of Control Characters***

---

The following table summarizes the Control characters and commands available in ED:

<b>Control Character</b>	<b>Function</b>
↑c	system reboot
↑e	physical <cr><lf> (not actually entered in command)
↑i	logical tab (cols 1, 8, 15, . . .)
↑l	logical <cr><lf> in search and substitute strings
↑x	line delete
↑z	string terminator
rubout	character delete
break	discontinue command (e.g., stop typing)

## Summary of ED Commands

---

Command	Function
nA	append lines
±B	begin bottom of buffer
±nC	move character positions
±nD	delete characters
E	end edit and close files (normal end)
nF	find string
H	end edit, close and reopen files
I	insert characters
nJ	place strings in juxtaposition
±nK	kill lines
±nL	move down/up lines
nM	macro definition
nN	find next occurrence with autoscan
O	return to original file
±nP	move and print pages
Q	quit with no file changes
R	read library file
nS	substitute strings
±nT	type lines
-U	translate lower to upper case if U, no translation if -U
nW	write lines
nZ	sleep
±n<cr>	move and type (±nLT)

---

## ED Text Editing Commands

---

The ED context editor contains a number of commands which enhance its usefulness in text editing. The improvements are found in the addition of line numbers, free space interrogation, and improved error reporting.

The context editor issued with CP/M produces absolute line number prefixes when the "V" (Verify Line Numbers) command is issued. Following the V command, the line number is displayed ahead of each line in the format:

```
nnnnn:
```

where nnnnn is an absolute line number in the range 1 to 65535. If the memory buffer is empty, or if the current line is at the end of the memory buffer, then nnnnn appears as 5 blanks.

The user may reference an absolute line number by preceding any command by a number followed by a colon, in the same format as the line number display. In this case, the ED program moves the current line reference to the absolute line number, if the line exists in the current memory buffer. Thus the command

```
345:T
```

is interpreted as "move to absolute line 345, and type the line." Note that absolute line numbers are produced only during the editing process, and are not recorded with the file. In particular, the line numbers will change following a deleted or expanded section of text.

The user may also reference an absolute line number as a backward or forward distance from the current line by preceding the absolute line number by a colon. Thus, the command

```
:400T
```

is interpreted as "type from the current line number through the

line whose absolute number is 400." Combining the two line reference forms, the command

```
345::400T
```

for example, is interpreted as "move to absolute line 345, then type through absolute line 400." Note that absolute line references of this sort can precede any of the standard ED commands.

A special case of the V command, "OV," prints the memory buffer statistics in the form:

```
free/total
```

where "free" is the number of free bytes in the memory buffer (in decimal), and "total" is the size of the memory buffer.

ED also includes a "block move" facility implemented through the "X" (Xfer) command. The form

```
nX
```

transfers the next n lines from the current line to a temporary file called

```
X$$$$$$$.LIB
```

which is active only during the editing process. In general, the user can reposition the current line reference to any portion of the source file and transfer lines to the temporary file. The transferred lines accumulate one after another in this file, and can be retrieved by simply typing:

```
R
```

which is the trivial case of the library read command. In this case, the entire transferred set of lines is read into the memory buffer. Note that the X command does not remove the transferred lines from the memory buffer, although a K command can be used directly after the X, and the R command does not empty the transferred line file. That is, given that a set of lines has been

transferred with the X command, they can be re-read any number of times back into the source file. The command

```
OX
```

is provided, however, to empty the transferred line file.

Note that upon normal completion of the ED program through Q or E, the temporary LIB file is removed. If ED is aborted through Control-C, the LIB file will exist if lines have been transferred, but will generally be empty (a subsequent ED invocation will erase the temporary file).

Due to common typographical errors, ED requires several potentially disastrous commands to be typed as single letters, rather than in composite commands. The commands

```
E (end), H (head), O (original), Q (quit)
```

must be typed as single letter commands.

ED also prints error messages in the form

```
BREAK "x" AT c
```

where x is the error character, and c is the command where the error occurred.

**CP/M Assembler**

116	Introduction
118	Program Format
120	Forming the Operand
120	Labels
121	Numeric Constants
122	Reserved Words
123	String Constants
123	Arithmetic and Logical Operators
125	Precedence of Operators
126	Assembler Directives
126	The ORG Directive
127	The END Directive
127	The EQU Directive
128	The SET Directive
129	The IF and ENDIF Directives
131	The DB Directive
131	The DW Directive
132	The DS Directive
132	Operation Codes
133	Jumps, Calls and Returns
134	Immediate Operand Instructions
135	Increment and Decrement Instructions
136	Data Movement Instructions
137	Arithmetic Logic Unit Operations
138	Control Instructions
139	Error Messages
140	A Sample Session

# 4

## CP/M Assembler

### Introduction

---

The CP/M assembler reads assembly language source files from the diskette, and produces 8080 machine language in Intel hex format. The CP/M assembler is initiated by typing

```

ASM filename
or
ASM filename.parms
```

In both cases, the assembler assumes there is a file on the diskette with the name

```
filename.ASM
```

which contains an 8080 assembly language source file. The first and second forms shown above differ only in that the second form allows parameters to be passed to the assembler to control source file access and hex and print file destinations.

In either case, the CP/M assembler loads, and prints the message

```
CP/M ASSEMBLER VER n.n
```

where n.n is the current version number. In the case of the first

command, the assembler reads the source file with assumed file type "ASM" and creates two output files.

```

filename.HEX
and
filename.PRN
```

The "HEX" file contains the machine code corresponding to the original program in Intel hex format, and the "PRN" file contains an annotated listing showing generated machine code, error flags, and source lines. If errors occur during translation, they will be listed in the PRN file as well as at the console.

The second command form can be used to redirect input and output files from their defaults. In this case, the "parms" portion of the command is a three letter group which specifies the origin of the source file, the destination of the hex file, and the destination of the print file. The form is

```
filename.p1p2p3
```

where p1, p2, and p3 are single letters

p1: A,B, ..., Y	designates the disk name which contains the source file
p2: A,B, ..., Y	designates the disk name which will receive the hex file
Z	skips the generation of the hex file
p3: A,B, ..., Y	designates the disk name which will receive the print file
X	places the listing at the console
Z	skips generation of the print file

Thus, the command

```
ASM X.AAA
```

indicates that the source file (X.ASM) is to be taken from disk A, and that the hex (X.HEX) and the print (X.PRN) files are to be created also on disk A. This form of the command is implied if the assembler is run from disk A. That is, given that the operator is



currently addressing disk A, the above command is equivalent to

```
ASM X
```

The command

```
ASM X.ABX
```

indicates that the source file is to be taken from disk A, the hex file is placed on disk B, and the listing file is to be sent to the console. The command

```
ASM X.BZZ
```

takes the source file from disk B, and skips the generation of the hex and print files. (This command is useful for fast execution of the assembler to check program syntax.)

The source program format is compatible with both the Intel 8080 assembler (macros are not currently implemented in the CP/M assembler, however) as well as the Processor Technology Software Package #1 assembler. That is, the CP/M assembler accepts source programs written in either format. There are certain extensions in the CP/M assembler which make it somewhat easier to use. These extensions are described below.

## ***Program Format***

---

An assembly language program acceptable as input to the assembler consists of a sequence of statements of the form

```
line #   label   operation   operand   ;comment
```

where any or all of the fields may be present in a particular instance. Each assembly language statement is terminated with a carriage return and line feed (the line feed is inserted automatically by the ED program), or with the character "!" which is treated as an end-of-line by the assembler (thus, multiple assembly language statements can be written on the same physical line if separated by exclamation symbols).

The line# is an optional decimal integer value representing the source program line number, which is allowed on any source line to maintain compatibility with the Processor Technology format. In general, these line numbers will be inserted if a line-oriented editor is used to construct the original program, and thus ASM ignores this field if present.

The label field takes the form

```
identifier
or
identifier:
```

and is optional, except where noted in particular statement types. The identifier is a sequence of alphanumeric characters (alphabetic and numbers), where the first character is alphabetic. Identifiers can be freely used by the programmer to label elements such as program steps and assembler directives, but cannot exceed 16 characters in length. All characters are significant in an identifier, except for the embedded dollar symbol (\$) which can be used to improve readability of the name. Further, all lower case alphabetic characters are treated as if they were upper case. Note that the ":" following the identifier in a label is optional. Thus, the following are all valid instances of labels

```
x           x y           long$name
x :         y x 1 :       longer$name$data:
X 1 Y 2    X 1 x 2       x234$5678$9012$3456:
```

The operation field contains either an assembler directive, or pseudo operation, or an 8080 machine operation code. The pseudo operations and machine operation codes are described below.

The operand field of the statement, in general, contains an expression formed out of constants and labels, along with arithmetic and logical operations on these elements. Again, the complete details of properly formed expressions are given below.

The comment field contains arbitrary characters following the ";" symbol until the next real or logical end-of-line. These characters are read, listed, and otherwise ignored by the assembler. In order

to maintain compatibility with the Processor Technology assembler, the CP/M assembler also treats statements which begin with a "\*" in column one as comment statements, which are listed and ignored in the assembly process. Note that the Processor Technology assembler has the side effect in its operation of ignoring the characters after the operand field has been scanned. This causes an ambiguous situation when attempting to be compatible with Intel's language, since arbitrary expressions are allowed in this case. Hence, programs which use this side effect to introduce comments, must be edited to place a ";" before these fields in order to assemble correctly.

The assembly language program is formulated as a sequence of statements of the above form, terminated optionally by an END statement. All statements following the END are ignored by the assembler.

## ***Forming the Operand***

---

In order to completely describe the operation codes and pseudo operations, it is necessary to first present the form of the operand field, since it is used in nearly all statements. Expressions in the operand field consist of simple operands (labels, constants, and reserved words), combined in properly formed subexpressions by arithmetic and logical operators. The expression computation is carried out by the assembler as the assembly proceeds. Each expression must produce a 16-bit value during the assembly. Further, the number of significant digits in the result must not exceed the intended use. That is, if an expression is to be used in a byte move immediate instruction, then the most significant 8 bits of the expression must be zero. The restrictions on the expression significance are given with the individual instructions.

### ***Labels***

As discussed above, a label is an identifier which occurs on a particular statement. In general, the label is given a value determined by the type of statement which it precedes. If the label occurs on a statement which generates machine code or reserves memory space (e.g., a MOV instruction, or a DS pseudo operation), then the

label is given the value of the program address which it labels. If the label precedes an EQU or SET, then the label is given the value which results from evaluating the operand field. Except for the SET statement, an identifier can label only one statement.

When a label appears in the operand field, its value is substituted by the assembler. This value can then be combined with other operands and operators to form the operand field for a particular instruction.

### ***Numeric Constants***

A numeric constant is a 16-bit value in one of several bases. The base, called the radix of the constant, is denoted by a trailing radix indicator. The radix indicators are

B	binary constant (base 2)
O	octal constant (base 8)
Q	octal constant (base 8)
D	decimal constant (base 10)
H	hexadecimal constant (base 16)

Q is an alternate radix indicator for octal numbers since the letter O is easily confused with the digit 0. Any numeric constant which does not terminate with a radix indicator is assumed to be a decimal constant.

A constant is thus composed as a sequence of digits, followed by an optional radix indicator, where the digits are in the appropriate range for the radix. That is binary constants must be composed of 0 and 1 digits, octal constants can contain digits in the range 0–7, while decimal constants contain decimal digits. Hexadecimal constants contain decimal digits as well as hexadecimal digits A (10D), B (11D), C (12D), D (13D), E (14D), and F (15D). Note that the leading digit of a hexadecimal constant must be a decimal digit in order to avoid confusing a hexadecimal constant with an identifier (a leading 0 will always suffice). A constant composed in this manner must evaluate to a binary number which can be contained within a 16-bit counter, otherwise it is truncated on the right by the assembler. Similar to identifiers, imbedded "\$" are allowed within constants to improve their readability. Finally, the radix indicator is translated to upper case if a lower case letter is

encountered. The following are all valid instances of numeric constants

1234	1234D	1100B	1111\$0000\$1111\$0000B
1234H	OFFEH	3377O	33\$77\$22Q
3377o	0fe3h	1234d	0ffffh

## Reserved Words

There are several reserved character sequences which have predefined meanings in the operand field of a statement. The names of 8080 registers are given below, which, when encountered, produce the value shown to the right.

A	7
B	0
C	1
D	2
E	3
H	4
L	5
M	6
SP	6
PSW	6

(Again, lower case names have the same values as their upper case equivalents.) Machine instructions can also be used in the operand field, and evaluate to their internal codes. In the case of instructions which require operands, where the specific operand becomes a part of the binary bit pattern of the instruction (e.g., MOV A,B), the value of the instruction (in this case MOV) is the bit pattern of the instruction with zeroes in the optional fields (e.g., MOV produces 40H).

When the symbol "\$" occurs in the operand field (not imbedded within identifiers and numeric constants) its value becomes the address of the text instruction to generate, not including the instruction contained within the current logical line.

## String Constants

String constants represent sequences of ASCII characters, and are represented by enclosing the characters within apostrophe symbols ('). All strings must be fully contained within the current physical line (thus allowing "!" symbols within strings), and must not exceed 64 characters in length. The apostrophe character itself can be included within a string by representing it as a double apostrophe (the keystrokes'), which becomes a single apostrophe when read by the assembler. In most cases, the string length is restricted to either one or two characters (the DB pseudo operation is an exception), in which case the string becomes an 8 or 16 bit value, respectively. Two character strings become a 16-bit constant, with the second character as the low order byte, and the first character as the high order byte.

The value of a character is its corresponding ASCII code. There is no case translation within strings, and thus both upper and lower case characters can be represented. Note however, that only graphic (printing) ASCII characters are allowed within strings. Valid strings are

```
'A'      'AB'      'ab'      'c'
' '      'a'      '""'      '""'
'Walla Walla Wash.'
'She said "Hello" to me.'
'I said "Hello" to her.'
```

## Arithmetic and Logical Operators

The operands described above can be combined in normal algebraic notation using any combination of properly formed operands, operators, and parenthesized expressions.

The operators recognized in the operand field are

a+b	unsigned arithmetic sum of a and b
a-b	unsigned arithmetic difference between a and b

+b	unary plus (produces b)
- b	unary minus (identical to 0 - b)
a * b	unsigned magnitude multiplication of a and b
a / b	unsigned magnitude division of a by b
a MOD b	remainder after a / b
NOT b	logical inverse of b (all 0's become 1's, 1's become 0's), where b is considered a 16-bit value
a AND b	bit-by-bit logical and of a and b
a OR b	bit-by-bit logical or of a and b
a XOR b	bit-by-bit logical exclusive or of a and b
a SHL b	the value which results from shifting a to the left by an amount b, with zero fill
a SHR b	the value which results from shifting a to the right by an amount b, with zero fill

In each case, a and b represent simple operands (labels, numeric constants, reserved words, and one or two character strings), or fully enclosed parenthesized subexpressions such as

10+20      10h+37Q      L1 / 3      (L2+4)SHR3  
 ('a' and 5fh) + '0'      ('B'+B) OR (PSW+M)  
 (1+(2+c)) shr (A-(B+1))

Note that all computations are performed at assembly time as 16-bit unsigned operations. Thus, -1 is computed as 0-1 which results in the value 0ffffh (i.e., all 1's). The resulting expression must fit the operation code in which it is used. If, for example, the expression is used in a ADI (add immediate) instructions, then the high order eight bits of the expression must be zero. As a result, the operation "ADI-1" produces an error message (-1 becomes 0ffffh which cannot be represented as an 8 bit value), while "ADI (-1) AND 0FFH" is accepted by the assembler since the "AND" operation zeroes the high order bits of the expression.

## Precedence of Operators

As a convenience to the programmer, ASM assumes that operators have a relative precedence of application which allows the programmer to write expressions without nested levels of parentheses. The resulting expression has assumed parentheses which are defined by the relative precedence. The order of application of operators in unparenthesized expressions is listed below. Operators listed first have highest precedence (they are applied first in an unparenthesized expression), while operators listed last have lowest precedence. Operators listed on the same line have equal precedence, and are applied from left to right as they are encountered in an expression

\* / MOD SHL SHR  
 -- +  
 NOT  
 AND  
 OR XOR

Thus, the expressions shown to the left below are interpreted by the assembler as the fully parenthesized expressions shown to the right below

a \* b + c      (a \* b) + c  
 a + b \* c      a + (b \* c)  
 a MOD b \* c SHL d      ((a MOD b) \* c) SHL d  
 a OR b AND NOT c + d SHL e      a OR (b AND (NOT (c + (d SHL e))))

Balanced parenthesized subexpressions can always be used to override the assumed parentheses, and thus the last expression above could be rewritten to force application of operators in a different order as

(a OR b) AND (NOT c) + d SHL e

resulting in the assumed parentheses

(a OR b) AND ((NOT c) + (d SHL e))

Note that an unparenthesized expression is well-formed only if the expression which results from inserting the assumed parentheses is well-formed.

## Assembler Directives

Assembler directives are used to set labels to specific values during the assembly, perform conditional assembly, define storage areas, and specify starting addresses in the program. Each assembler directive is denoted by a "pseudo operation" which appears in the operation field of the line. The acceptable pseudo operations are

ORG	set the program or data origin
END	end program, optional start address
EQU	numeric "equate"
SET	numeric "set"
IF	begin conditional assembly
ENDIF	end of conditional assembly
DB	define data bytes
DW	define data words
DS	define data storage area

### The ORG Directive

The ORG statement takes the form

```
label      ORG      expression
```

where "label" is an optional program label, and expression is a 16-bit expression, consisting of operands which are defined previous to the ORG statement. The assembler begins machine code generation at the location specified in the expression.

There can be any number of ORG statements within a particular program, and there are no checks to ensure that the programmer is not defining overlapping memory areas. Note that most programs written for the CP/M system begin with an ORG statement of the form

```
ORG 100H
```

which causes machine code generation to begin at the base of the CP/M transient program area. If a label is specified in the ORG statement, then the label is given the value of the expression (this label can then be used in the operand field of other statements to represent this expression).

### The END Directive

The END statement is optional in an assembly language program, but if it is present it must be the last statement (all subsequent statements are ignored in the assembly). The two forms of the END directive are

```
label      END
label      END      expression
```

where the label is again optional. If the first form is used, the assembly process stops, and the default starting address of the program is taken as 0000. Otherwise, the expression is evaluated, and becomes the program starting address (this starting address is included in the last record of the Intel formatted machine code "hex" file which results from the assembly). Thus, most CP/M assembly language programs end with the statement

```
END 100H
```

resulting in the default starting address of 100H (beginning of the transient program area).

### The EQU Directive

The EQU (equate) statement is used to set up synonyms for particular numeric values. The form is

```
label      EQU      expression
```

where the label must be present, and must not label any other statement. The assembler evaluates the expression, and assigns this value to the identifier given in the label field. The identifier is usually a name which describes the value in a more human-oriented manner. Further, this name is used throughout the program to "parameterize" certain functions. Suppose for example, that data received from a Teletype appears on a particular input port, and data is sent to the Teletype through the next output port in sequence.

The series of equate statements could be used to define these ports for a particular hardware environment

```
TTYBASE EQU 10H      ;BASE PORT NUMBER FOR TTY
TTYIN   EQU TTYBASE ;TTY DATA IN
TTYOUT  EQU TTYBASE+1 ;TTY DATA OUT
```

At a later point in the program, the statements which access the Teletype could appear as

```
IN   TTYIN   ;READ TTY DATA TO REG—A
...
OUT TTYOUT   ;WRITE DATA TO TTY FROM REG—A
```

making the program more readable than if the absolute I/O ports had been used. Further, if the hardware environment is redefined to start the Teletype communications ports at 7FH instead of 10H, the first statement need only be changed to

```
TTYBASE EQU 7FH      ;BASE PORT NUMBER FOR TTY
```

and the program can be reassembled without changing any other statement.

### ***The SET Directive***

The SET statement is similar to the EQU, taking the form

```
label      SET      expression
```

except that the label can occur on other SET statements within the program. The expression is evaluated and becomes the current value associated with the label. Thus, the EQU statement defines

a label with a single value, while the SET statement defines a value which is valid from the current SET statement to the point where the label occurs on the next SET statement. The use of the SET is similar to the EQU statement, but is used most often in controlling conditional assembly.

### ***The IF and ENDIF Directives***

The IF and ENDIF statements define a range of assembly language statements which are to be included or excluded during the assembly process. The form is

```
IF expression
statement #1
statement #2
...
statement #n
ENDIF
```

Upon encountering the IF statement, the assembler evaluates the expression following the IF (all operands in the expression must be defined ahead of the IF statement). If the expression evaluates to a non-zero value, then statement #1 through statement #n are assembled; if the expression evaluates to zero, then the statements are listed but not assembled. Conditional assembly is often used to write a single "generic" program which includes a number of possible run-time environments, with only a few specific portions of the program selected for any particular assembly. The following program segments for example, might be part of a program which communicates with either a Teletype or a CRT console (but not both) by selecting a particular value for TTY before the assembly begins.

```

TRUE      EQU      0FFFFH      ;DEFINE VALUE OF TRUE
FALSE     EQU      NOT TRUE    ;DEFINE VALUE OF FALSE
;
TTY       EQU      TRUE        ;TRUE IF TTY, FALSE IF CRT
;
TTYBASE   EQU      10H         ;BASE OF TTY I/O PORTS
CRTBASE   EQU      20H         ;BASE OF CRT I/O PORTS
IF        TTY                ;ASSEMBLE RELATIVE TO
                        TTYBASE
CONIN     EQU      TTYBASE     ;CONSOLE INPUT
CONOUT    EQU      TTYBASE+1   ;CONSOLE OUTPUT
ENDIF
;
IF        NOT TTY            ;ASSEMBLE RELATIVE TO
                        CRTBASE
CONIN     EQU      CRTBASE     ;CONSOLE INPUT
CONOUT    EQU      CRTBASE+1   ;CONSOLE OUTPUT
ENDIF
...
IN        CONIN              ;READ CONSOLE DATA
...
OUT       CONOUT             ;WRITE CONSOLE DATA

```

In this case, the program would assemble for an environment where a Teletype is connected, based at port 10H. The statement defining TTY could be changed to

```
TTY      EQU      FALSE
```

and, in this case, the program would assemble for a CRT based at port 20H.

## The DB Directive

The DB directive allows the programmer to define initialized storage areas in single precision (byte) format. The statement form is

```
label    DB      e#1, e#2, ..., e#n
```

where e#1 through e#n are either expressions which evaluate to 8-bit values (the high order eight bits must be zero), or are ASCII strings of length no greater than 64 characters. There is no practical restriction on the number of expressions included on a single source line. The expressions are evaluated and placed sequentially into the machine code file following the last program address generated by the assembler. String characters are similarly placed into memory starting with the first character and ending with the last character. Strings of length greater than two characters cannot be used as operands in more complicated expressions (i.e., they must stand alone between the commas). Note that ASCII characters are always placed in memory with the parity bit reset (0). Further, recall that there is no translation from lower to upper case within strings. The optional label can be used to reference the data area throughout the remainder of the program. Examples of valid DB statements are

```

data:     DB      0,1,2,3,4,5
          DB      data and 0ffh,5,377Q,1+2+3+4
signon:   DB      'please type your name'.cr,lf,0
          DB      'AB' SHR8, 'C', 'DE' AND 7FH

```

## The DW Directive

The DW statement is similar to the DB statement except double precision (two byte) words of storage are initialized. The form is

```
label    DW      e#1,d#2, ..., e#n
```

where e#1 through e#n are expressions which evaluate to 16-bit results. Note that ASCII strings of length one or two characters are allowed, but strings longer than two characters disallowed. In all cases, the data storage is consistent with the 8080 processor: the least significant byte of the expression is stored first in memory,

followed by the most significant byte. Examples are

```
doub:   DW      Offefh,doub+4,signon-$,255+255
        DW      'a', 5, 'ab', 'CD', 6 shl 8 or 11b
```

### The DS Directive

The DS statement is used to reserve an area of uninitialized memory, and takes the form

```
label   DS      expression
```

where the label is optional. The assembler begins subsequent code generation after the area reserved by the DS. Thus, the DS statement given above has exactly the same effect as the statement

```
label:  EQU    $ ;LABEL VALUE IS CURRENT CODE LOCATION
        ORG    $ - expression ;MOVE PAST RESERVED AREA
```

### Operation Codes

Assembly language operation codes form the principal part of assembly language programs, and form the operation field of the instruction. In general, ASM accepts all the standard mnemonics for the Intel 8080 microcomputer, which are given in detail in the Intel manual *8080 Assembly Language Programming Manual*. Labels are optional on each input line and, if included, take the value of the instruction address immediately before the instruction is issued. The individual operators are listed briefly in the following sections for completeness, although it is understood that the Intel manuals should be referenced for exact operator details. In each case,

e3        represents a 3-bit value in the range of 0-7 which can be one of the predefined registers A, B, C, D, E, H, L, M, SP, or PSW.  
e8        represents an 8-bit value in the range 0-255  
e16       represents a 16-bit value in the range 0-65535

which can themselves be formed from an arbitrary combination of operands and operators. In some cases, the operands are restricted to particular values within the allowable range, such as the PUSH instruction. These cases will be noted as they are encountered.

In the sections which follow, each operation code is listed in its most general form, along with a specific example, with a short explanation and special restrictions.

### Jumps, Calls and Returns

The Jump, Call and Return instructions allow several different forms which test the condition flags set in the 8080 microcomputer CPU. The forms are

JMB	e16	JMP	L1	Jump unconditionally to label
JNZ	e16	JMP	L2	Jump on non zero condition to label
JZ	e16	JMP	100H	Jump on zero condition to label
JNC	e16	JNC	L1+4	Jump no carry to label
JC	e16	JC	L3	Jump on carry to label
JPO	e16	JPO	+\$8	Jump on parity odd to label
JPE	e16	JPE	L4	Jump on even parity to label
JP	e16	JP	GAMMA	Jump on positive result to label
JM	e16	JM	al	Jump on minus to label
CALL	e16	CALL	S1	Call subroutine unconditionally
CNZ	e16	CNZ	S2	Call subroutine if non zero flag
CZ	e16	CZ	100H	Call subroutine on zero flag
CNC	e16	CNC	S1+4	Call subroutine if no carry set
CC	e16	CC	S3	Call subroutine if carry set
CPO	e16	CPO	+\$8	Call subroutine if parity odd
CPE	e16	CPE	S4	Call subroutine if parity even
CP	e16	CP	GAMMA	Call subroutine if positive result



CM	e16	CM	b1\$c2	Call subroutine if minus flag
RST	e3	RST	0	Programmed "restart," equivalent to CALL 8*e3, except one byte call
RET				Return from subroutine
RNZ				Return if non zero flag set
RZ				Return if zero flag set
RNC				Return if no carry
RC				Return if carry flag set
RPO				Return if parity is odd
RPE				Return if parity is even
RP				Return if positive result
RM				Return if minus flag is set

### Immediate Operand Instructions

Several instructions are available which load single or double precision registers, or single precision memory cells, with constant values, along with instructions which perform immediate arithmetic or logical operations on the accumulator (register A).

MVI	e3,e8	MVI	B,255	Move immediate data to register A, B, C, D, E, H, L, or M (memory)
ADI	e8	ADI	1	Add immediate operand to A without carry
ACI	e8	ACI	0FFH	Add immediate operand to A with carry
SUI	e8	SUI	L + 3	Subtract from A without borrow (carry)
SBI	e8	SBI	L AND 11B	Subtract from A with borrow (carry)
ANI	e8	ANI	\$ AND 7FH	Logical "and" A with immediate data

XRI	e8	XRI	1111\$0000B	"Exclusive or" A with immediate data
ORI	e8	ORI	L AND 1+1	Logical "or" A with immediate data
CPI	e8	CPI	'a'	Compare A with immediate data (same as SUI except register A not changed)
LXI	e3,e16	LXI	B,100H	Load extended immediate to register pair (e3 must be equivalent to B, D, H, or SP)

### Increment and Decrement Instructions

Instructions are provided in the 8080 repertoire for incrementing or decrementing single and double precision registers. The instructions are

INR	e3	INR	E	Single precision increment register (e3 produces one of A, B, C, D, E, H, L, M)
DCR	e3	DCR	A	Single precision decrement register (e3 produces one of A, B, C, D, E, H, L, M)
INX	e3	INX	SP	Double precision increment register pair (e3 must be equivalent to B, D, H, or SP)
DCX	e3	DCX	B	Double precision decrement register pair (e3 must be equivalent to B, D, H, or SP)
OUT	e8	OUT	255	Send data from register A to port e8

## Data Movement Instructions

Instructions which move data from memory to the CPU and from CPU to memory are given below

MOV	e3,e3	MOV	A,B	Move data to leftmost element from rightmost element (e3 produces one of A, B, C, D, E, H, L, or M). MOV M,M is disallowed
LDAX	e3	LDAX	B	Load register A from computed address (e3 must produce either B or D)
STAX	e3	STAX	D	Store register A to computed address (e3 must produce either B or D)
LHLD	e16	LHLD	L1	Load HL direct from location e16 (double precision load to H and L)
SHLD	e16	SHLD	L5+x	Store HL direct to location e16 (double precision store from H and L to memory)
LDA	e16	LDA	Gamma	Load register A from address e16
STA	e16	STA	X3-5	Store register A into memory at e16
POP	e3	POP	PSW	Load register pair from stack, set SP (e3 must produce one of B, D, H, or PSW)
PUSH	e3	PUSH	B	Store register pair into stack, set SP (e3 must produce one of B, D, H, or PSW)
IN	e8	IN	0	Load register A with data from port e8
OUT	e8	OUT	255	Send data from register A to port e8

XTHL				Exchange data from top of stack with HL
PCHL				Fill program counter with data from HL
SPHL				Fill stack pointer with data from HL
XCHG				Exchange DE pair with HL pair

## Arithmetic Logic Unit Operations

Instructions which act upon the single precision accumulator to perform arithmetic and logic operations are

ADD	e3	ADD	B	Add register given by e3 to accumulator without carry (e3 must produce one of A, B, C, D, E, H, or L)
ADC	e3	ADC	L	Add register to A with carry, e3 as above
SUB	e3	SUB	H	Subtract reg e3 from A without carry, e3 is defined as above
SBB	e3	SBB	2	Subtract register e3 from A with carry, e3 defined as above
ANA	e3	ANA	1+1	Logical "and" reg with A, e3 as above
XRA	e3	XRA	A	"Exclusive or" with A, e3 as above
ORA	e3	ORA	B	Logical "or" with A, e3 defined as above
CMP	e3	CMP	H	Compare register with A, e3 as above

DAA	Decimal adjust register A based upon last arithmetic logic unit operation
CMA	Complement the bits in register A
STC	Set the carry flag to 1
CMC	Complement the carry flag
RLC	Rotate bits left, (re)set carry as a side effect (high order A bit becomes carry)
RRC	Rotate bits right, (re)set carry as side effect (low order A bit becomes carry)
RAL	Rotate carry/A register to left (carry is involved in the rotate)
RAR	Rotate carry/A register to right (carry is involved in the rotate)
DAD e3     DAD B	Double precision add register pair e3 to HL (e3 must produce B, D, H, or SP)

### ***Control Instructions***

The four remaining instructions are categorized as control instructions, and are listed below

HLT	Halt the 8080 processor
DI	Disable the interrupt system
EI	Enable the interrupt system
NOP	No operation

### ***Error Messages***

When errors occur within the assembly language program, they are listed as single character flags in the leftmost position of the source listing. The line in error is also echoed at the console so that the source listing need not be examined to determine if errors are present. The error codes are

D	Data error: element in data statement cannot be placed in the specified data area
E	Expression error: expression is ill-formed and cannot be computed at assembly time
L	Label error: label cannot appear in this context (may be duplicate label)
N	Not implemented: features which will appear in future ASM versions (e.g., macros) are recognized, but flagged in this version
O	Overflow: expression is too complicated (i.e., too many pending operators) to compute; simplify it
P	Phase error: label does not have the same value on two subsequent passes through the program
R	Register error: the value specified as a register is not compatible with the operation code
V	Value error: operand encountered in expression is improperly formed

Several error messages are printed which are due to terminal error conditions

NO SOURCE FILE PRESENT	The file specified in the ASM command does not exist on disk
NO DIRECTORY SPACE	The disk directory is full; erase files which are not needed, and retry
SOURCE FILE NAME ERROR	Improperly formed ASM file name (e.g., it is specified with "?" fields)
SOURCE FILE READ ERROR	Source file cannot be read properly by the assembler, execute a TYPE to determine the point of error
OUTPUT FILE WRITE ERROR	Output files cannot be written properly, most likely cause is a full disk; erase and retry
CANNOT CLOSE FILE	Output file cannot be closed, check to see if disk is write protected

## A Sample Session

The following session shows interaction with the assembler and debugger in the development of a simple assembly language program.

```
ASM SORT Assemble SORT.ASM
CP/M ASSEMBLER - VER 1 0
015C next free address
003H USE FACTOR % of table used 00 to FF (hexadecimal)
END OF ASSEMBLY

DIR SORT *
```

```
SORT ASM source file
SORT BAK backup from last edit
SORT PRN print file (contains tab characters)
SORT HEX machine code file
A>TYPE SORT PRN
```

```

Source line
machine code location generated machine code
0100          SORT PROGRAM IN CP/M ASSEMBLY LANGUAGE
0100          START AT THE BEGINNING OF THE TRANSIENT PROGRAM AR
0100          ORG 100H
0100 214601 SORT LXI H, SW ; ADDRESS SWITCH TOGGLE
0103 3601      MVI M, 1 ; SET TO 1 FOR FIRST ITERATION
0105 214701 LXI H, I ; ADDRESS INDEX
0108 3600      MVI M, 0 ; I = 0
010A 7E      COMP: MOV A, M ; COMPARE I WITH ARRAY SIZE
010B FE09    CPI N-1 ; A REGISTER = I
010D D21901 JNC CONT ; CY SET IF I > (N-1)
0110          END OF ONE PASS THROUGH DATA
0110 214601 LXI H, SW ; CHECK FOR ZERO SWITCHES
0113 7EB7C20001 MOV A, M ; ORA A ; JNZ SORT ; END OF SORT IF SW=0
0118 FF      RST 7 ; GO TO THE DEBUGGER INSTEAD OF RE
0119 5F16002148CONT: MOV E, A ; CONTINUE THIS PASS
0121 4E792346 MOV D, 0 ; ADDRESSING I, SO LOAD AV(I) INTO REGISTERS
MOV C, M ; MVI D, 0 ; LXI H, AV ; DAD D ; DAD D
MOV C, M ; MOV A, C ; INX H ; MOV B, M
LOW ORDER BYTE IN A AND C, HIGH ORDER BYTE IN B
0125 23      MOV H AND L TO ADDRESS AV(I + 1)
INX H
0126 965778239E COMPARE VALUE WITH REGS CONTAINING AV(I)
SUB M ; MOV D, A ; MOV A, B ; INX H ; SBB M ; SUBTRACT
012B DA3F01 BORROW SET IF AV(I+1) < AV(I)
JC INCI ; SKIP IF IN PROPER ORDER
012E B2CA3F01 CHECK FOR EQUAL VALUES
ORA D ; JZ INCI ; SKIP IF AV(I) = AV(I+1)
0132 56702B5E MOV D, M ; MOV M, B ; DCX H ; MOV E, M
0136 712B722B73 MOV M, C ; DCX H ; MOV M, D ; DCX H ; MOV M, E
013B 21460134 INCREMENT SWITCH COUNT
LXI H, SW ; INR M
013F 21470134C3INCI INCREMENT I
LXI H, I ; INR M ; JMP COMP
0146 00      DATA DEFINITION SECTION
SW: DB 0 ; RESERVE SPACE FOR SWITCH COUNT
0147 I: DS 1 ; SPACE FOR INDEX
0148 050064001EAV: DW 5,100,30,50,20,7,1000,300,100,—32767
000A = N EQU ($-AV)/2 ; COMPUTE N INSTEAD OF PRE
015C equate value END
```

A>TYPE SORT.HEX

```
:10010000214601360121470136007EFE09D2190140
:100110002146017EB7C20001FF5F16002148011983
:10012000194E79234623965778239EDA3F01B2CAA7
:100130003F0156702B5E712B722B732146013421C7
:07014000470134C30A01006E
:10014800050064001E00320014000700E8032C01BB
:0401580064000180BE
:000000000
```

machine code  
in HEX format

A>DDT SORT.HEX start debug run

16K DDT VER 1.0  
NEXT PC  
815C 0000 default address (no address on END statement)  
-XP

P=0000 100 change PC to 100

-UFFFF untrace for 65535 steps

COZOM0E0I0 A=00 B=0000 D=0000 H=0000 S=0100 P=0100 LXI H,0146\*0100  
-T10 trace 10<sub>16</sub> steps

abort with  
rubout

```
COZOM0E0I0 A=01 B=0000 D=0000 H=0146 S=0100 P=0100 LXI H,0146
COZOM0E0I0 A=01 B=0000 D=0000 H=0146 S=0100 P=0103 MVI M,01
COZOM0E0I0 A=01 B=0000 D=0000 H=0146 S=0100 P=0105 LXI H,0147
COZOM0E0I0 A=01 B=0000 D=0000 H=0147 S=0100 P=0108 MVI M,00
COZOM0E0I0 A=01 B=0000 D=0000 H=0147 S=0100 P=010A MOV A,M
COZOM0E0I0 A=00 B=0000 D=0000 H=0147 S=0100 P=010B CPI 09
C1ZOM1E0I0 A=00 B=0000 D=0000 H=0147 S=0100 P=010D JNC 0119
C1ZOM1E0I0 A=00 B=0000 D=0000 H=0147 S=0100 P=0110 LXI H,0146
C1ZOM1E0I0 A=00 B=0000 D=0000 H=0146 S=0100 P=0113 MOV A,M
C1ZOM1E0I0 A=01 B=0000 D=0000 H=0146 S=0100 P=0114 ORA A
COZOM0E0I0 A=01 B=0000 D=0000 H=0146 S=0100 P=0115 JNZ 0100
COZOM0E0I0 A=01 B=0000 D=0000 H=0146 S=0100 P=0100 LXI H,0146
COZOM0E0I0 A=01 B=0000 D=0000 H=0146 S=0100 P=0103 MVI M,01
COZOM0E0I0 A=01 B=0000 D=0000 H=0146 S=0100 P=0105 LXI H,0147
COZOM0E0I0 A=01 B=0000 D=0000 H=0147 S=0100 P=0108 MVI M,00
COZOM0E0I0 A=01 B=0000 D=0000 H=0147 S=0100 P=010A MOV A,M*010B
-A10D
```

stopped at  
10BH

010D JC 119 change to a jump on carry  
0110

-XP

P=010B 100 reset program counter back to beginning of program

-T10 trace execution for 10H steps

```
COZOM0E0I0 A=00 B=0000 D=0000 H=0147 S=0100 P=0100 LXI H,0146
COZOM0E0I0 A=00 B=0000 D=0000 H=0146 S=0100 P=0103 MVI M,01
COZOM0E0I0 A=00 B=0000 D=0000 H=0146 S=0100 P=0105 LXI H,0147
COZOM0E0I0 A=00 B=0000 D=0000 H=0147 S=0100 P=0108 MVI M,00
COZOM0E0I0 A=00 B=0000 D=0000 H=0147 S=0100 P=010A MOV A,M
COZOM0E0I0 A=00 B=0000 D=0000 H=0147 S=0100 P=010B CPI 09
C1ZOM1E0I0 A=00 B=0000 D=0000 H=0147 S=0100 P=010D JC 0119
C1ZOM1E0I0 A=00 B=0000 D=0000 H=0147 S=0100 P=0119 MOV E,A
C1ZOM1E0I0 A=00 B=0000 D=0000 H=0147 S=0100 P=011A MVI D,00
C1ZOM1E0I0 A=00 B=0000 D=0000 H=0147 S=0100 P=011C LXI H,0148
C1ZOM1E0I0 A=00 B=0000 D=0000 H=0148 S=0100 P=011F DAD D
COZOM1E0I0 A=00 B=0000 D=0000 H=0148 S=0100 P=0120 DAD D
COZOM1E0I0 A=00 B=0000 D=0000 H=0148 S=0100 P=0121 MOV C,M
COZOM1E0I0 A=00 B=0005 D=0000 H=0148 S=0100 P=0122 MOV A,C
COZOM1E0I0 A=05 B=0005 D=0000 H=0148 S=0100 P=0123 INX H
COZOM1E0I0 A=05 B=0005 D=0000 H=0149 S=0100 P=0124 MOV B,M*0125
```

Automatic  
breakpoint

-L100

```
0100 LXI H,0146
0103 MVI M,01
0105 LXI H,0147
0108 MVI M,00
010A MOV A,M
010B CPI 09
010D JC 0119
0110 LXI H,0146
0113 MOV A,M
0114 ORA A
0115 JNZ 0100
-L
```

list some code  
from 100H

```
0118 RST 07
0119 MOV E,A
011A MVI D,00
011C LXI H,0148
- abort list with rubout
```

list more

-G.118 start program from current PC (0125H) and run in real time to 11BH

\*0127 stopped with an external interrupt 7 from front panel (program was looping indefinitely)

-T4 look at looping program in trade mode

```
COZOM0E0I0 A=38 B=0064 D=0006 H=0156 S=0100 P=0127 MOV D,A
COZOM0E0I0 A=38 B=0064 D=3806 H=0156 S=0100 P=0128 MOV A,B
COZOM0E0I0 A=00 B=0064 D=3806 H=0156 S=0100 P=0129 INX H
COZOM0E0I0 A=00 B=0064 D=3806 H=0157 S=0100 P=012A SBB M*012B
-D148
```

data is sorted, but program doesn't stop

```
0148 05 00 07 00 14 00 1E 00
0150 32 00 64 00 64 00 2C 01 E8 03 01 80 00 00 00 00 2 D D
0160 00 00 00 00 00 00 00 00 00 00 00 00 00 00 00 00
-G0 return to CP/M
```

DDT SORT.HEX reload the memory image

16K DDT VER 1.0  
NEXT PC  
015C 0000  
-XP

P=0000 100 Set PC to beginning of program

-L10D list bad opcode

```
010D JNC 0119
0110 LXI H,0146
- abort list with rubout
```

-A10D assemble new opcode

```
010D JC 119
```

0110

-L100 list starting section of program

```
0100 LXI H,0146
0103 MVI M,01
0105 LXI H,0147
0108 MVI M,00
- abort list with rubout
```

-A103 change "switch" initialization to 00

```
0103 MVI M,0
```

0105

-^C return to CP/M with ctrl-c (G0 works as well)

```

SAVE 1 SORT.COM save 1 page (256 bytes, from 100H to 1FFMH) on disk in case
                    we have to reload later
A DDT SORT.COM restart DDT with
                    saved memory image
16K DDT VER 1.0
NEXT PC
0200 0100 "COM" file always starts with address 100H
-G run the program from PC=100H

*0118 programmed stop (RST 7) encountered
-D148

                                data properly sorted
0148 05 00 07 00 14 00 1E 00 .....
0150 32 00 64 00 64 00 2C 01 E8 03 01 80 00 00 00 00 2 . D . D .....
0160 00 00 00 00 00 00 00 00 00 00 00 00 00 00 .....
0170 00 00 00 00 00 00 00 00 00 00 00 00 00 00 .....

-G0 return to CP/M
ED SORT.ASM make changes to original program
ctl-Z
*N.O^ ZOTT find next ".0"
    MVI M.0 ; I = 0
*- up one line in text
    LXI H,I ; ADDRESS INDEX
*- up another line
    MVI M,1 ; SET TO 1 FOR FIRST ITERATION
*KT kill line and type next line
    LXI H,I ; ADDRESS INDEX
*I insert new line
    MVI M,0 ; ZERO SW
*T
    LXI H,I ; ADDRESS INDEX
*NJNC^ ZOT
    JNC^T
    CONT ; CONTINUE IF I = (N-2)
*-2DIC^ ZOLT
    JC CONT ; CONTINUE IF I = (N-2)
*E
    source from disk A
    hex to disk A
ASM SORT.AAZ ← skip pm file

CP/M ASSEMBLER - VER 1.0

015C next address to assemble
003H USE FACTOR
END OF ASSEMBLY

DDT SORT.HEX test program changes
16K DDT VER 1.0
NEXT PC
015C 0000
-G100

*0118
-D148

                                data sorted
0148 B5 00 07 00 14 00 1E 00 .....
0150 32 00 64 00 64 00 2C 01 E8 03 01 80 00 00 00 00 2 . D . D .....
0160 00 00 00 00 00 00 00 00 00 00 00 00 00 00 .....

- abort with rubout

-G0 return to CP/M - program checks OK.

```

## CP/M Dynamic Debugging Tool

- 146 Introduction
- 149 DDT Commands
- 150 The A (Assemble) Command
- 150 The D (Display) Command
- 151 The F (Fill) Command
- 152 The G (Go) Command
- 153 The I (Input) Command
- 153 The L (List) Command
- 154 The M (Move) Command
- 154 The R (Read) Command
- 155 The S (Set) Command
- 156 The T (Trace) Command
- 157 The U (Untrace) Command
- 157 The X (Examine) Command
- 158 Implementation Notes
- 159 Sample Session

# 5

## *CP/M Dynamic Debugging Tool*

### Introduction

The DDT program allows dynamic interactive testing and debugging of programs generated in the CP/M environment. The debugger is initiated by typing one of the following commands at the CP/M Console Command level

```
DDT
DDT filename.HEX
DDT filename.COM
```

where "filename" is the name of the program to be loaded and tested. In both cases, the DDT program is brought into main memory in the place of the Console Command Processor (refer to the CP/M Interface Guide for standard memory organization), and thus resides directly below the Basic Disk Operating System portion of CP/M. The BDOS starting address, which is located in the address field of the JMP instruction at location 5H, is altered to reflect the reduced Transient Program Area size.

The second and third forms of the DDT command shown above perform the same actions as the first, except there is a subsequent

automatic load of the specified HEX or COM file. The action is identical to the sequence of commands

```
DDT
Ifilename.HEX or Ifilename.COM
R
```

where the I and R commands set up and read the specified program to test. (See the explanation of the I and R commands below for exact details.)

Upon initiation, DDT prints a sign-on message in the format

```
DDT VER m.m
```

where

D	Digital Research standard version
M	MDS version
I	IMSAI standard version
O	Omron systems
S	Digital Systems standard version

m.m is the revision number.

Following the sign on message, DDT prompts the operator with the character "-" and waits for input commands from the console. The operator can type any of several single characters commands, terminated by a carriage return to execute the command. Each line of input can be line-edited using the standard CP/M controls

rubout	remove the last character typed
Control-X	remove the entire line, ready for re-typing
Control-C	system reboot

Any command can be up to 32 characters in length (an automatic carriage return is inserted as the 33rd character), where the first character determines the command type.

A	enter assembly language mnemonics with operands
D	display memory in hexadecimal and ASCII
F	fill memory with constant data
G	begin execution with optional breakpoints
I	set up a standard input file control block
L	list memory using assembler mnemonics
M	move a memory segment from source to destination
R	read program for the subsequent testing
S	substitute memory values
T	trace program execution
U	untraced program monitoring
X	examine and optionally alter the CPU state

The command character, in some cases, is followed by zero, one, two, or three hexadecimal values which are separated by commas or single blank characters. All DDT numeric output is in hexadecimal form. In all cases, the commands are not executed until the carriage return is typed at the end of the command.

At any point in the debug run, the operator can stop execution of DDT using either a Control-C or GO (jump to location 0000H), and save the current memory image using a SAVE command of the form

```
SAVE n filename.COM
```

where n is the number of pages (256 byte blocks) to be saved on disk. The number of blocks can be determined by taking the high order byte of the top load address and converting this number to decimal. For example, if the highest address in the Transient Program Area is 1234H then the number of pages is 12H, or 18 in decimal. Thus the operator could type a Control-C during the

debug run, returning to the Console Processor level, followed by

```
SAVE 18 X.COM
```

The memory image is saved as X.COM on the diskette, and can be directly executed by simply typing the name X. If further testing is required, the memory image can be recalled by typing

```
DDT X.COM
```

which reloads the previously saved program from location 100H through page 18 (12FFH). The machine state is not a part of the COM file, and thus the program must be restarted from the beginning in order to properly test it.

## ***DDT Commands***

---

The individual commands are given below in some detail. In each case, the operator must wait for the prompt character (-) before entering the command. In the explanation of each command, the command letter is shown in some cases with numbers separated by commas, where the numbers are represented by lower case letters. These numbers are always assumed to be in a hexadecimal radix, and from one to four digits in length (longer numbers will be automatically truncated on the right).

Many of the commands operate upon a "CPU state" which corresponds to the program under test. The CPU state holds the registers of the program being debugged, and initially contains zeroes for all registers and flags except for the program counter (P) and stack pointer (S), which default to 100H. The program counter is subsequently set to the starting address given in the last record of a HEX file if a file of this form is loaded (see the I and R commands).



## ***The A (Assemble) Command***

---

DDT allows inline assembly language to be inserted into the current memory image using the A command which takes the form

```
As
```

where s is the hexadecimal starting address for the inline assembly. DDT prompts the console with the address of the next instruction to fill, and reads the console, looking for assembly language mnemonics (see the Intel 8080 Assembly Language Reference Card for a list of mnemonics), followed by register references and operands in absolute hexadecimal form. Each successive load address is printed before reading the console. The A command terminates when the first empty line is input from the console.

Upon completion of assembly language input, the operator can review the memory segment using the DDT disassembler. (See the L command.)

Note that the assembler/disassembler portion of DDT can be overlaid by the transient program being tested, in which case the DDT program responds with an error condition when the A and L commands are used.

## ***The D (Display) Command***

---

The D command allows the operator to view the contents of memory in hexadecimal and ASCII formats. The forms are

```
D
Ds
Ds,f
```

In the first case, memory is displayed from the current display address (initially 100H), and continues for 16 display lines. Each display line takes the form shown below

```
aaaa bb bb bb bb bb bb bb bb bb bb bb bb bb bb cccccccccccccc
```

where aaaa is the display address in hexadecimal, and bb represents data present in memory starting at aaaa. The ASCII characters starting at aaaa are given to the right (represented by the sequence of c's), where non-graphic characters are printed as a period (.) symbol. Note that both upper and lower case alphabets are displayed, and thus will appear as upper case symbols on a console device that supports only upper case. Each display line gives the values of 16 bytes of data, except that the first line displayed is truncated so that the next line begins at an address which is the multiple of 16.

The second form of the D command shown above is similar to the first, except that the display address is first set to address s. The third form causes the display to continue from address s through address f. In all cases, the display address is set to the first address not displayed in this command, so that a continuing display can be accomplished by issuing successive D commands with no explicit addresses.

Excessively long displays can be aborted by pushing the rubout key.

## ***The F (Fill) Command***

---

The F command takes the form

```
Fs,f,c
```

where s is the starting address, f is the final address, and c is a hexadecimal byte constant. The effect is as follows: DDT stores the constant c at address s, increments the value of s and tests against f. If s exceeds f then the operation terminates, otherwise the operation is repeated. Thus, the fill command can be used to set a memory block to a specific constant value.

## ***The G (Go) Command***

---

Program execution is started using the G command, with up to two optional breakpoint addresses. The G command takes one of the forms

```
G
Gs
Gs,b
Gs,b,c
G,b
G,b,c
```

The first form starts execution of the program under test at the current value of the program counter in the current machine state, with no breakpoints set. The current program counter can be viewed by typing an X or XP command. The second form is similar to the first except that the program counter in the current machine state is set to address *s* before execution begins. The third form is the same as the second, except that program execution stops when address *b* is encountered (*b* must be in the area of the program under test). The instruction at location *b* is not executed when the breakpoint is encountered. The fourth form is identical to the third, except that two breakpoints are specified, one at *b* and the other at *c*. Encountering either breakpoint causes execution to stop, and both breakpoints are subsequently cleared. The last two forms take the program counter from the current machine state, and set one and two breakpoints, respectively.

Execution continues from the starting address in real-time to the next breakpoint. That is, there is no intervention between the starting address and the break address by DDT. Thus, if the program under test does not reach a breakpoint, control cannot return to DDT. Upon encountering a breakpoint, DDT stops execution and types

```
*d
```

where *d* is the stop address. The machine state can be examined at this point using the X (Examine) command. The operator must specify breakpoints which differ from the program counter address

at the beginning of the G command. Thus, if the current program counter is 1234H, then the commands

```
G,1234
and
G400,400
```

both produce an immediate breakpoint, without executing any instructions whatsoever.

## ***The I (Input) Command***

---

The I command allows the operator to insert a file name into the default file control block at 5CH (the file control block created by CP/M for transient programs is placed at this location; see the CP/M Interface Guide). The default FCB can be used by the program under test as if it had been passed by the CP/M Console Processor. Note that this file name is also used by DDT for reading additional HEX and COM files. The form of the I command is

```
Ifilename
or
Ifilename.filetype
```

If the second form is used, and the filetype is either HEX or COM, then subsequent R commands can be used to read the pure binary or hex format machine code (see the R command for further details).

## ***The L (List) Command***

---

The L command is used to list assembly language mnemonics in a particular program region. The forms are

```
L
Ls
Ls,f
```

The first command lists twelve lines of disassembled machine code from the current list address. The second form sets the list address to *s*, and then lists twelve lines of code. The last form lists disassembled code from *s* through address *f*. In all three cases, the list address is set to the next unlisted location in preparation for a subsequent L command. Upon encountering an execution breakpoint, the list address is set to the current value of the program counter (see the G and T commands). Again, long typeouts can be aborted using the rubout key during the list process.

## ***The M (Move) Command***

---

The M command allows block movement of program or data areas from one location to another in memory. The form is

Ms,f,d

where *s* is the start address of the move, *f* is the final address of the move, and *d* is the destination address. Data is first moved from *s* to *d*, and both addresses are incremented. If *s* exceeds *f* then the move operation stops, otherwise the move operation is repeated.

## ***The R (Read) Command***

---

The R command is used in conjunction with the I command to read COM and HEX files from the diskette into the transient program area in preparation for the debut run. The forms are

R  
Rb

where *b* is an optional bias address which is added to each program or data address as it is loaded. The load operation must not overwrite any of the system parameters from 000H through 0FFH (i.e., the first page of memory). If *b* is omitted, then *b* = 0000 is assumed. The R command requires a previous I command, specifying the name of a HEX or COM file. The load address for each record is obtained from each individual HEX record, while

an assumed load address of 100H is taken for COM files. Note that any number of R commands can be issued following the I command to re-read the program under test, assuming the tested program does not destroy the default area at 5CH. Further, any file specified with the filetype "COM" is assumed to contain machine code in pure binary form (created with the LOAD or SAVE command), and all others are assumed to contain machine code in Intel hex format (produced, for example, with the ASM command).

Recall that the command

DDT filename.filetype

which initiates the DDT program is equivalent to the commands

DDT  
-I filename.filetype  
-R

Whenever the R command is issued, DDT responds with either the error indicator "?" (file cannot be opened, or a checksum error occurred in a HEX file), or with a load message taking the form

NEXT PC  
nnnn pppp

where *nnnn* is the next address following the loaded program, and *pppp* is the assumed program counter (100H for COM files, or taken from the last record if a HEX file is specified).

## ***The S (Set) Command***

---

The S command allows memory locations to be examined and optionally altered. The form of the command is

Ss

where *s* is the hexadecimal starting address for examination and alteration of memory. DDT responds with a numeric prompt, giving the memory location, along with the data currently held in

the memory location. If the operator types a carriage return, then the data is not altered. If a byte value is typed, then the value is stored at the prompted address. In either case, DDT continues to prompt with successive addresses and values until either a period (.) is typed by the operator, or an invalid input value is detected.

## ***The T (Trace) Command***

---

The T command allows selective tracing of program execution for 1 to 65535 program steps. The forms are

```
T
Tn
```

In the first case, the CPU state is displayed, and the next program step is executed. The program terminates immediately, with the termination address displayed as

```
*hhhh
```

where hhhh is the next address to execute. The display address (used in the D command) is set to the value of H and L, and the list address (used in the L command) is set to hhhh. The CPU state at program termination can then be examined using the X command.

The second form of the T command is similar to the first, except that execution is traced for n steps (n is a hexadecimal value) before a program breakpoint occurs. A breakpoint can be forced in the trace mode by typing a rubout character. The CPU state is displayed before each program step is taken in trace mode. The format of the display is the same as described in the X command.

Note that program tracing is discontinued at the interface to CP/M, and resumes after return from CP/M to the program under test. Thus, CP/M functions which access I/O devices, such as the diskette drive, run in real-time, avoiding I/O timing problems. Programs running in trace mode execute approximately 500 times slower than real time since DDT gets control after each user instruction is executed. Interrupt processing routines can be

traced, but it must be noted that commands which use the breakpoint facility (G, T, and U) accomplish the break using a RST 7 instruction, which means that the tested program cannot use this interrupt location. Further, the trace mode always runs the tested program which interrupts enabled, which may cause problems if asynchronous interrupts are received during tracing.

Note also that the operator should use the rubout key to get control back to DDT during trace, in order to ensure that the trace for the current instruction is completed before interruption.

## ***The U (Untrace) Command***

---

The U command is identical to the T command except that intermediate program steps are not displayed. The untrace mode allows from 1 to 65535 (0FFFFH) steps to be executed in monitored mode, and is used principally to retain control of an executing program while it reaches steady state conditions. All conditions of the T command apply to the U command.

## ***The X (Examine) Command***

---

The X command allows selective display and alteration of the current CPU state for the program under test. The forms are

```
X
Xr
```

where r is one of the 8080 CPU registers

C	Carry Flag	(0/1)
Z	Zero Flag	(0/1)
M	Minus Flag	(0/1)
E	Even Parity Flag	(0/1)
I	Interdigit Carry	(0/1)
A	Accumulator	(0-FF)
B	BC register pair	(0-FFFF)
D	DE register pair	(0-FFFF)

H	HL register pair	(0-FFFF)
S	Stack Pointer	(0-FFFF)
P	Program Counter	(0-FFFF)

In the first case, the CPU register state is displayed in the format

CfZfMfEfIf A=bb B=dddd D=dddd H=dddd S=dddd P=dddd inst

where f is a 0 or 1 flag value, bb is a byte value, and dddd is a double byte quantity corresponding to the register pair. The "inst" field contains the disassembled instruction which occurs at the location addressed by the CPU state's program counter.

The second form allows display and optional alteration of register values, where r is one of the registers given above (C, Z, M, E, I, A, B, D, H, S, or P). In each case, the flag or register value is the first displayed at the console. The DDT program then accepts input from the console. If a carriage return is typed, then the flag or register value is not altered. If a value in the proper range is typed, then the flag or register value is altered. Note that BC, DE, and HL are displayed as register pairs. Thus, the operator types the entire register pair when B, C, or the BC pair is altered.

## Implementation Notes

The organization of DDT allows certain non-essential portions to be overlaid in order to gain a larger transient program area for debugging large programs. The DDT program consists of two parts: the DDT nucleus and the assembler/disassembler module. The DDT nucleus is loaded over the Console Command Processor, and, although loaded with the DDT nucleus, the assembler/disassembler is overlayable unless used to assemble or disassemble.

In particular, the BDOS address at location 6H (address field of the JMP instruction at location 5H) is modified by DDT to address

the base location of the DDT nucleus which, in turn, contains a JMP instruction to the BDOS. Thus, programs which use this address field to size memory see the logical end of memory at the base of the DDT nucleus rather than the base of the BDOS.

The assembler/disassembler module resides directly below the DDT nucleus in the transient program area. If the A, L, T, or X commands are used during the debugging process then the DDT program again alters the address field at 6H to include this module, thus further reducing the logical end of memory. If a program loads beyond the beginning of the assembler/disassembler module, the A and L commands are lost (their use produces a "?" in response), and the trace and display (T and X) commands list the "inst" field of the display in hexadecimal, rather than as a decoded instruction.

## Sample Session

The following example shows an edit, assemble, and debug for a simple program which reads a set of data values and determines the largest value in the set. The largest value is taken from the vector, and stored into "LARGE" at the termination of the program.

```
ED SCAN ASM
*1
  ORG 100H      L=L, START OF TRANSIENT AREA
  MVI B,LEN    ;LENGTH OF VECTOR TO SCAN
  MVI C,0      ;LARGER-RST VALUE SO FAR
LOOP: POOL     LXI H,VECT ;BASE OF VECTOR
      MOV A,M   ;GET VALUE
      SUB C     ;LARGER VALUE IN C?
      JNC NFOUND ;JUMP IF LARGER VALUE NOT FOUND
      ;characters NEW LARGEST VALUE, STORE IT TO C
      MOV C,A
NFOUND: INX H   ;TO NEXT ELEMENT
      DCR B    ;MORE TO SCAN?
      JNZ LOOP ;FOR ANOTHER
      END OF SCAN, STORE C
      MOV A,C  ;GET LARGEST VALUE
      STA LARGE
      JMP 0    ;REBOOT
```

*tab character*     *rubout*     *rubout echo*

*deletes*

*Create Source Program - underlined characters typed by programmer.*

```

:
: TEST DATA
VECT: DB 2,0,4,3,5,6,1,5
LEN EQU $-VECT ;LENGTH
LARGE: DS 1 ;LARGEST VALUE ON EXIT
END
^Z^BOP
ORG 100H ;START OF TRANSIENT AREA
MVI B,LEN ;LENGTH OF VECTOR TO SCAN
MVI C,0 ;LARGEST VALUE SO FAR
LXI H,VECT ;BASE OF VECTOR
LOOP: MOV A,M ;GET VALUE
SUB C ;LARGER VALUE IN C?
JNC NFOUND ;JUMP IF LARGER VALUE NOT FOUND
; NEW LARGEST VALUE, STORE IT TO C
MOV C,A
NFOUND: INX H ;TO NEXT ELEMENT
DCR B ;MORE TO SCAN?
JNZ LOOP ;FOR ANOTHER
; END OF SCAN, STORE C
MOV A,C ;GET LARGEST VALUE
STA LARGE
JMP 0 ;REBOOT
:
: TEST DATA
VECT: DB 2,0,4,3,5,6,1,5
LEN EQU $-VECT ;LENGTH
LARGE: DS 1 ;LARGEST VALUE ON EXIT
END
^E ← End of Edit
    
```

```

ASM SCAN Start Assembler
CP/M ASSEMBLER - VER 1.0
0122
002H USE FACTOR
END OF ASSEMBLY Assembly Complete - Look at Program Listing
    
```

TYPE SCAN.PRN

Code Address	Machine Code	Source Program
0100		ORG 100H ; START OF TRANSIENT AREA
0100 0608		MVI B,LEN ; LENGTH OF VECTOR TO SCAN
0102 0E00		MVI C,0 ; LARGEST VALUE SO FAR
0104 211901		LXI H,VECT. ; BASE OF VECTOR
0107 7E	LOOP:	MOV A,M ; GET VALUE
0108 91		SUB C ; LARGER VALUE IN C?
0109 D20D01		JNC NFOUND ; JUMP IF LARGER VALUE NOT FOUND
		; NEW LARGEST VALUE, STORE IT TO C
010C 4F		MOV C,A
010D 23	NFOUND	INX H ; TO NEXT ELEMENT
010E 05		DCR B ; MORE TO SCAN?
010F C20701		JNZ LOOP ; FOR ANOTHER
		; END OF SCAN, STORE C
0112 79		MOV A,C ; GET LARGEST VALUE
0113 322101		STA LARGE
0116 C30000		JMP 0 ; REBOOT
		; TEST DATA
0119 0200040305	VECT:	DB 2,0,4,3,5,6,1,5
0008 =	LEN	EQU \$-VECT ;LENGTH
0121 Value of	LARGE:	DS 1 ;LARGEST VALUE ON EXIT
0122 Equate		END

```

A>
DDT SCAN.HEX Start Debugger using hex format machine code
16K DDT VER 1.0
NEXT PC
0121 0000
-X last load address + 1
COZ0M0E010 A=00 B=0000 D=0000 H=0000 S=0100 P=0000 OUT 7F PC=0
-X
P=0000 100 Change PC to 100
-X Look at registers again
COZ0M0E010 A=00 B=0000 D=0000 H=0000 S=0100 P=0100 MVI B,08
-L100 Next instruction to execute at PC=100
0100 MVI B,08
0102 MVI C,00
0104 LXI H,0119
0107 MOV A,M
0108 SUB C
0109 JNC 010D
010C MOV C,A
010D INX H
010E DCR B
010F JNZ 0107
0112 MOV A,C
-L
0113 STA 0121
0116 JMP 0000
0119 STAX B
011A NOP
011B INR B
011C INX B
011D DCR B
011E MVI B,01
0120 DCR B
0121 LXI D,2200
0124 LXI H,0200
-L
-A116 enter inline assembly mode to change the JMP to 0000 into a RST 7, which
will cause the program under test to return to DDT if 116H
is ever executed.
0116 RST 7
0117 (single carriage return stops assembly mode)
-L113 List Code at 113H to check that RST 7 was properly inserted
0113 STA 0121
0116 RST 07 ← in place of JMP
0117 NOP
0118 NOP
0119 STAX B
011A NOP
011B INR B
011C INX B
-
    
```

Disassembled Machine Code at 100H (See Source Listing for comparison)

A little more machine code (note that Program ends at location 116 with a JMP to 0000)

-X Look at registers

```
COZ0M0E010 A=00 B=0000 D=0000 H=0000 S=0100 P=0100 MVI B,08
-T Execute Program for one step.           initial CPU state, before is executed
COZ0M0E010 A=00 B=0000 D=0000 H=0000 S=0100 P=0100 MVI B,08*0102
-T Trace one step again (note 08H in B)     automatic breakpoint
COZ0M0E010 A=00 B=0000 D=0000 H=0000 S=0100 P=0102 MVI C,00*0104
-T Trace again (Register C is cleared)
```

```
COZ0M0E010 A=00 B=0800 D=0000 H=0000 S=0100 P=0104 LXIH,0119*0107
-T3 Trace three steps
COZ0M0E010 A=00 B=0800 D=0000 H=0119 S=0100 P=0107 MOV A,M
COZ0M0E010 A=02 B=0800 D=0000 H=0119 S=0100 P=0108 SUB C
COZ0M0E011 A=02 B=0800 D=0000 H=0119 S=0100 P=0109 JNC 010D*010D
```

```
-D119 Display memory starting at 119H
Program data
Automatic breakpoint at 10DH
0119 02 00 04 03 05 06 01
0120 05 11 00 22 21 00 02 7E EB 77 13 23 EB 0B 78 B1
0130 C2 27 01 C3 03 29 00 00 00 00 00 00 00 00 00
0140 00 00 00 00 00 00 00 00 00 00 00 00 00 00
0150 00 00 00 00 00 00 00 00 00 00 00 00 00 00
0160 00 00 00 00 00 00 00 00 00 00 00 00 00 00
0170 00 00 00 00 00 00 00 00 00 00 00 00 00 00
0180 00 00 00 00 00 00 00 00 00 00 00 00 00 00
0190 00 00 00 00 00 00 00 00 00 00 00 00 00 00
01A0 00 00 00 00 00 00 00 00 00 00 00 00 00 00
01B0 00 00 00 00 00 00 00 00 00 00 00 00 00 00
01C0 00 00 00 00 00 00 00 00 00 00 00 00 00 00
```

```
-X Current CPU state
COZ0M0E011 A=02 B=0800 D=0000 H=0119 S=0100 P=010D INX H
-T5 Trace 5 steps from current CPU state
COZ0M0E011 A=02 B=0800 D=0000 H=0119 S=0100 P=010D INX H
COZ0M0E011 A=02 B=0800 D=0000 H=011A S=0100 P=010E DCR B
COZ0M0E011 A=02 B=0700 D=0000 H=011A S=0100 P=010F JNZ 0107
COZ0M0E011 A=02 B=0700 D=0000 H=011A S=0100 P=0107 MOV A,M
COZ0M0E011 A=00 B=0000 D=0000 H=0119 S=0100 P=0108 SUB C*0109
Automatic Breakpoint
```

```
-U5 Trace without listing intermediate states
COZ0M0E111 A=00 B=0700 D=0000 H=011A S=0100 P=0109 JNC 010D*0108
-X CPU State at end of U5
```

```
COZ0M0E111 A=04 B=0600 D=0000 H=011B S=0100 P=0108 SUB C
-G Run program from current PC until completion (in real-time)
breakpoint at 116H, caused by executing RST 7 in machine code
```

```
-0116
-X CPU state at end of program
COZ1M0E111 A=00 B=0000 D=0000 H=0121 S=0100 P=0116 RST 07
-XP examine and change program counter
```

```
P=0116 100
-X
COZ1M0E111 A=00 B=0000 D=0000 H=0121 S=0100 P=0100 MVI B,08
-T10 Trace 10 (hexadecimal) steps
```

```
COZ1M0E111 A=00 B=0000 D=0000 H=0121 S=0100 P=0100 MVI B,08
COZ1M0E111 A=00 B=0800 D=0000 H=0121 S=0100 P=0102 MVI C,00
COZ1M0E111 A=00 B=0800 D=0000 H=0121 S=0100 P=0104 LXI H,0119
COZ1M0E111 A=00 B=0800 D=0000 H=0119 S=0100 P=0107 MOV A,M
COZ1M0E111 A=02 B=0800 D=0000 H=0119 S=0100 P=0108 SUB C
COZ0M0E011 A=02 B=0800 D=0000 H=0119 S=0100 P=0109 JNC 010D
first data element current largest value subtext for comparison A C
```

```
COZ0M0E011 A=02 B=0800 D=0000 H=0119 S=0100 P=010D INX H
COZ0M0E011 A=02 B=0800 D=0000 H=011A S=0100 P=010E DCR B
COZ0M0E011 A=02 B=0700 D=0000 H=011A S=0100 P=010F JNZ 0107
COZ0M0E011 A=02 B=0700 D=0000 H=011A S=0100 P=0107 MOV A,M
COZ0M0E011 A=00 B=0700 D=0000 H=011A S=0100 P=0108 SUB C
COZ1M0E111 A=00 B=0700 D=0000 H=011A S=0100 P=0109 JNC 010D
COZ1M0E111 A=00 B=0700 D=0000 H=011A S=0100 P=010D INX H
COZ1M0E111 A=00 B=0700 D=0000 H=011B S=0100 P=010E DCR B
COZ0M0E111 A=00 B=0600 D=0000 H=011B S=0100 P=010F JNZ 0107
COZ0M0E111 A=00 B=0600 D=0000 H=011B S=0100 P=0107 MOV A,M*0108
```

```
-A109
0109 JC 10D Insert a "hot patch" into the machine code to change the JNC to JC
010C
Program should have moved the value from A into C since A < C. Since this code was not executed, it appears that the JNC should have been a JC instruction
```

```
-G0 Stop DDT so that a version of the patched program can be saved
```

```
SAVE 1 SCAN.COM Program resides on first page, so save 1 page.
```

```
A DDT SCAN.COM Restart DDT with the saved memory image to continue testing
```

```
16K DDT VER 1.0
NEXT PC
0200 0100
-L100 List some code
```

```
0100 MVI B,08
0102 MVI C,00
0104 LXI H,0119
0107 MOV A,M
0108 SUB C
0109 JC 010D
010C MOV C,A
010D INX H
010E DCR B
010F JNZ 0107
0112 MOV A,C
-XP
P=0100
Previous patch is present in X-COM
```

```
-T10 Trace to see how patched version operates
Data is moved from A to C
```

```
COZ0M0E010 A=00 B=0000 D=0000 H=0000 S=0100 P=0100 MVI B,08
COZ0M0E010 A=00 B=0800 D=0000 H=0000 S=0100 P=0102 MVI C,00
COZ0M0E010 A=00 B=0800 D=0000 H=0000 S=0100 P=0104 LXI H,0119
COZ0M0E010 A=00 B=0800 D=0000 H=0119 S=0100 P=0107 MOV A,M
COZ0M0E010 A=02 B=0800 D=0000 H=0119 S=0100 P=0108 SUB C
COZ0M0E011 A=02 B=0800 D=0000 H=0119 S=0100 P=0109 JC 010D
COZ0M0E011 A=02 B=0800 D=0000 H=0119 S=0100 P=010C MOV C,A
COZ0M0E011 A=02 B=0800 D=0000 H=0119 S=0100 P=010D INX H
COZ0M0E011 A=02 B=0800 D=0000 H=011A S=0100 P=010E DCR B
COZ0M0E011 A=02 B=0800 D=0000 H=011A S=0100 P=010F JNZ 0107
COZ0M0E011 A=02 B=0700 D=0000 H=011A S=0100 P=0107 MOV A,M
COZ0M0E011 A=00 B=0700 D=0000 H=011A S=0100 P=0108 SUB C
C1Z0M1E010 A=FE B=0702 D=0000 H=011A S=0100 P=0109 JC 010D
C1Z0M1E010 A=FE B=0702 D=0000 H=011A S=0100 P=010D INX H
C1Z0M1E010 A=FE B=0702 D=0000 H=011B S=0100 P=010E DCR B
C1Z0M0E111 A FE B 0602 D=0000 H=011B S=0100 P=010F JNZ 0107*0107
-X
breakpoint after 16 steps
```

```
C1Z0M0E111 A=FE B=0602 D=0000 H=011B S=0100 P=0107 MOV A,M
-G.108 Run from current PC and breakpoint at 108H
```

```
*0108
-X
      next data item
C1Z0M0E111 A=04 B=0602 D=0000 H=011B S=0100 P=0108 SUB C
-T
      Single step for a few cycles
C1Z0M0E111 A=04 B=0602 D=0000 H=011B S=0100 P=0108 SUB C*0109
-T
COZ0M0E011 A=02 B=0602 D=0000 H=011B S=0100 P=0109 JC 010D*010C
-X
COZ0M0E011 A=02 B=0602 D=0000 H=011B S=0100 P=010C MOV C.A
-G Run to completion
```

```
*0116
-X
COZ1M0E111 A=03 B=0003 D=0000 H=0121 S=0100 P=0116 RST 07
-S121 look at the value of "LARGE"
```

```
0121 03 Wrong Value!
0122 00
0123 22
0124 21
```

```
0125 00
0126 02 End of the S command
0127 7E
```

```
--L100
0100 MVI B,08
0102 MVI C,00
0104 LXI H,0119
0107 MOV A,M
0108 SUB C
0109 JC 010D
010C MOV C,A
010D INX H
010E DCR B
010F JNZ 0107
0112 MOV A,C
-L
0113 STA 0121
0116 RST 07
0117 NOP
0118 NOP
0119 STAX B
011A NOP
011B INR B
011C INX B
011D DCR B
011E MVI B,01
0120 DCR B
-XP
```

Review the code

P=0116 100 Reset the PC

```
-T Single step, and watch data values
COZ1M0E111 A=03 B=0003 D=0000 H=0121 S=0100 P=0100 MVI B,08*0102
-T
COZ1M0E111 A=03 B=0803 D=0000 H=0121 S=0100 P=0102 MVI C,00*0104
-T
      count set
COZ1M0E111 A=03 B=0800 D=0000 H=0121 S=0100 P=0104 LXI H,0119*0107
-T
      "largest" set
COZ1M0E111 A=03 B=0800 D=0000 H=0119 S=0100 P=0107 MOV A,M*0108
-T
      base address of data set
COZ1M0E111 A=02 B=0800 D=0000 H=0119 S=0100 P=0108 SUB C*0109
-T
      first data item brought to A
```

```
COZ0M0E011 A=02 B=0800 D=0000 H=0119 S=0100 P=0109 JC 010D*010C
-T
COZ0M0E011 A=02 B=0800 D=0000 H=0119 S=0100 P=010C MOV C,A*010D
-T
      first data item moved to C correctly
COZ0M0E011 A=02 B=0802 D=0000 H=0119 S=0100 P=010D INX H*010E
-T
COZ0M0E011 A=02 B=0802 D=0000 H=011A S=0100 P=010E DCR B*010F
-T
COZ0M0E011 A=02 B=0702 D=0000 H=011A S=0100 P=010F JNZ 0107*0107
-T
```

```
COZ0M0E011 A=02 B=0702 D=0000 H=011A S=0100 P=0107 MOV A,M*0108
-T
COZ0M0E011 A=00 B=0702 D=0000 H=011A S=0100 P=0108 SUB C*0109
-T
      second data item brought to A
```

```
C1Z0M1E010 A=FE B=0702 D=0000 H=011A S=0100 P=0109 JC 010D*010D
-T
      subtract destroys data value which was loaded!!!
C1Z0M1E010 A=FE B=0702 D=0000 H=011A S=0100 P=010D INX H*010E
-L100
```

```
0100 MVI B,08
0102 MVI C,00
0104 LXI H,0119
0107 MOV A,M
0108 SUB C ← This should have been a CMP so that register A
0109 JC 010D would not be destroyed
010C MOV C,A
010D INX H
010E DCR B
010F JNZ 0107
0112 MOV A,C
-A108
```

0108 CMP C hot patch at 108H changes SUB to CMP

```
0109
-GO stop DDT for SAVE
```

```
SAVE 1 SCAN.COM Save memory image
A>DDT SCAN.COM Restart DDT
```

```
16K DDT VER 1.0
NEXT PC
0200 0100
```





## Index

### A

- A (append) 98
- A (Assemble) 150
- ASM
  - arithmetic operators 123
  - assembler directives 126
  - command 23
  - DB 131
  - DS 132
  - DW 131
  - END 127
  - ENDIF 129
  - EQU 127
  - error messages 139
  - file type 52
  - IF 129
  - labels 120
  - logical operators 123
  - numeric constants 121
  - operation codes 132
  - ORG 126
  - overview 116
  - program format 118
  - reserved words 122
  - sample session 140
  - SET 128
  - string constants 123

### B

- B (block mode transfer) 33
- BAK file type 52

- BAS file type 52
- BAT: 23
- BDOS 3
- BDOS error messages 43
- BIOS 3, 46
- BIOS call conventions 50
- BOOT 49
- Built-in commands
  - DIR 12
  - ERA 11
  - overview 10
  - REN 13
  - SAVE 14
  - TYPE 14
  - USER 15

### C

- Call conventions (BIOS) 46
- CCP (Console Command Processor) 4, 46
- Close file 64
- COM file 52
- Compute file size 76
- CON: 22
- Console input 57
- Console output 57
- Context editor 94
- Control characters 16
- CP/M
  - built-in commands 10
  - disk parameter block 5

*CP/M (continued)*

file references 7  
 file types 52  
 general command structure 7  
 line editing 15  
 logical divisions 3  
 transient commands 17  
 Currently logged drive 10

**D**

D (delete) 33  
 DB 131  
 DDT (Dynamic Debugging Tool)  
 A (Assemble) 150  
 command list 149  
 D (Display) 150  
 F (Fill) 151  
 G (Go) 152  
 I (Input) 153  
 implementation 158  
 L (List) 153  
 M (Move) 154  
 overview 149  
 R (Read) 154  
 S (Set) 155  
 T (Trace) 156  
 U (Untrace) 157  
 X (Examine) 157  
 Delete file 65  
 DIR (directory) 12  
 direct console I/O 58  
 DS 132  
 DUMP 43  
 DW 131

**E**

E (echo) 33  
 ED  
 command strings 102  
 command summary 110  
 control characters 109  
 errors 108  
 memory buffer 99  
 operation 95

*ED (continued)*

overview 95  
 repetitive commands 107  
 source libraries 107  
 text alteration 103  
 text editing 111  
 text search 103  
 text transfer 95

END 127  
 ENDIF 129  
 EOF: 31  
 EQU 127  
 Error messages  
 ASM 139  
 BDOS 43  
 ED 108

**F**

F (filter) 33  
 FDOS 46, 50  
 file control block 53  
 file reference 7  
 file types 52

**G**

G (get file) 34  
 Get address (allocation) 70  
 Get address (disk parameters) 72  
 Get console status 61  
 Get I/O Byte 59  
 Get Read/Only vector 71  
 Get user code 72  
 General command structure 7

**H**

H (hex data transfer) 34  
 Hex files 52

**I**

I (ignore) 34  
 IF 129  
 INP: 31  
 INT file type 52  
 Intel 8080 2

**J**

Jump codes 133

**L**

L (translate) 34  
 Line editing commands 15  
 List devices 23  
 List output 58  
 LOAD 26  
 Logical devices 22  
 LPT: 23  
 LST: 23

**M**

Make file 67  
 Memory buffer organization 97  
 Memory organization (CP/M) 47

**N**

N (add line numbers) 34  
 NUL: 31

**O**

O (object file transfer) 34  
 Open file 63  
 Operand 120  
 Operation codes 132  
 ORG 126  
 OUT: 31  
 Output Control 15

**P**

P (include page ejects) 34  
 PIP 27  
 Physical devices 23  
 Print string 59  
 PRN: 31  
 PTP: 23  
 PTR: 23  
 PUN: 23  
 Punch output 58

**Q**

Q (quit copying) 34

**R**

R (read system files) 35  
 RDR: 23  
 Read console buffer 60  
 Read random 73  
 Read sequential 66  
 Reader input 57  
 REL file 52  
 REN (REName) 13  
 Reset disk system 62  
 Return current disk 69  
 Return login vector 68  
 Return version number 61

**S**

S (start copying) 35  
 Sample programs  
 file dump utility 81  
 file-to-file copy program 78  
 random access program 84  
 SAVE 14  
 Search for First 64  
 Search for Next 65  
 Select disk 62  
 SET 128  
 Set DMA address 69  
 Set file attributes 71  
 Set I/O Byte 59  
 Set random record 77  
 Set user code 72  
 Special characters 8  
 STAT 18  
 SUBMIT 40  
 SYM file 52  
 System function summary 92

**T**

T (expand tabs) 35  
 Text transfer operations 95  
 Transient commands 17  
 TTY: 23  
 TYPE 14

**U**

U (all upper case) 35  
UC1: 23  
UL1: 23  
UP1: 23  
UP2: 23  
UR1: 23  
UR2: 23  
USER 15

**V**

V (verify) 35  
VAL 24

**W**

W (write over R/O) 35  
Write protect disk 70  
Write random 75  
Write sequential 66

**X**

XSUB 42

**Z**

Z (zero parity bit on input) 35  
Zilog Z-80 2